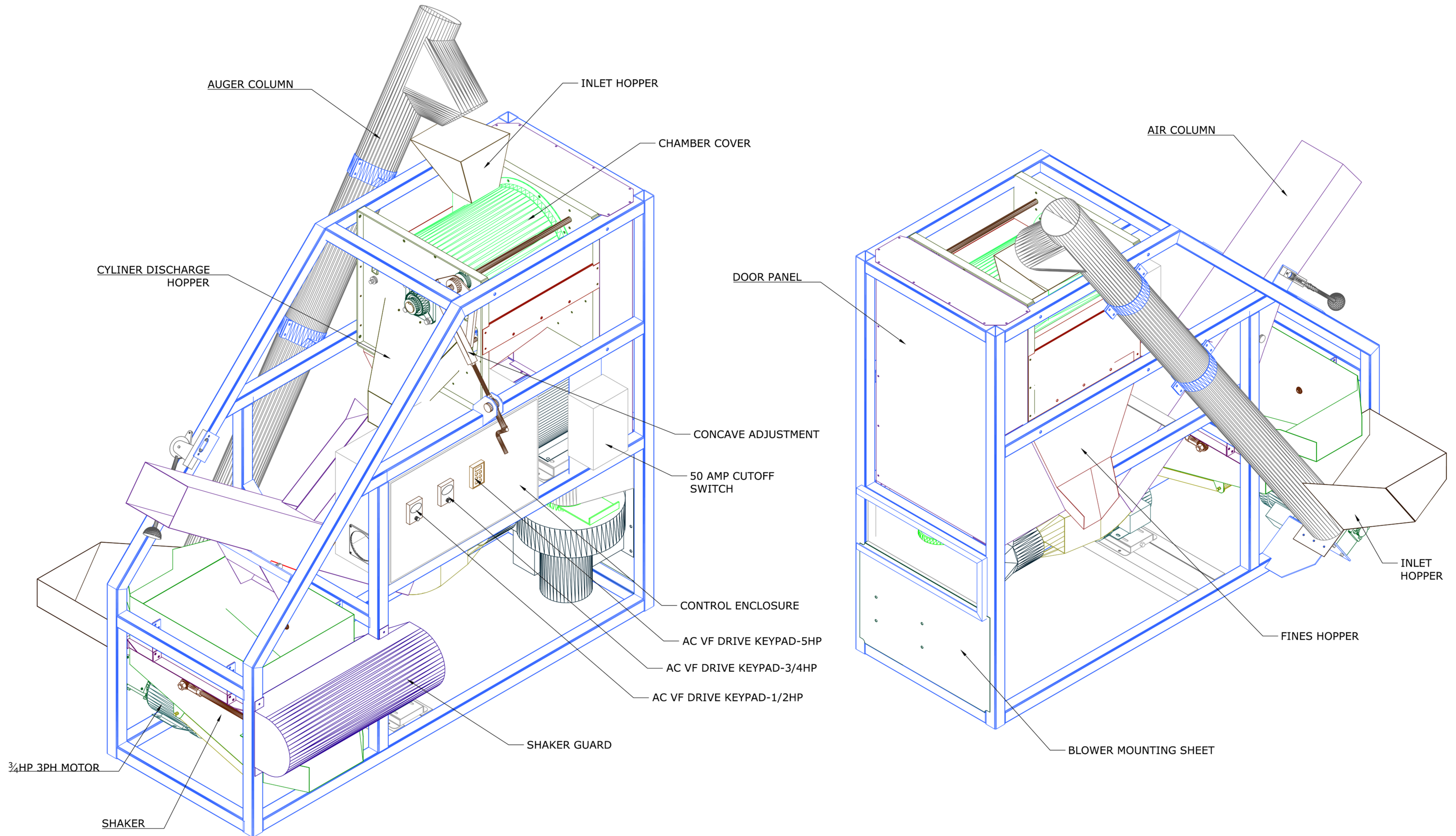
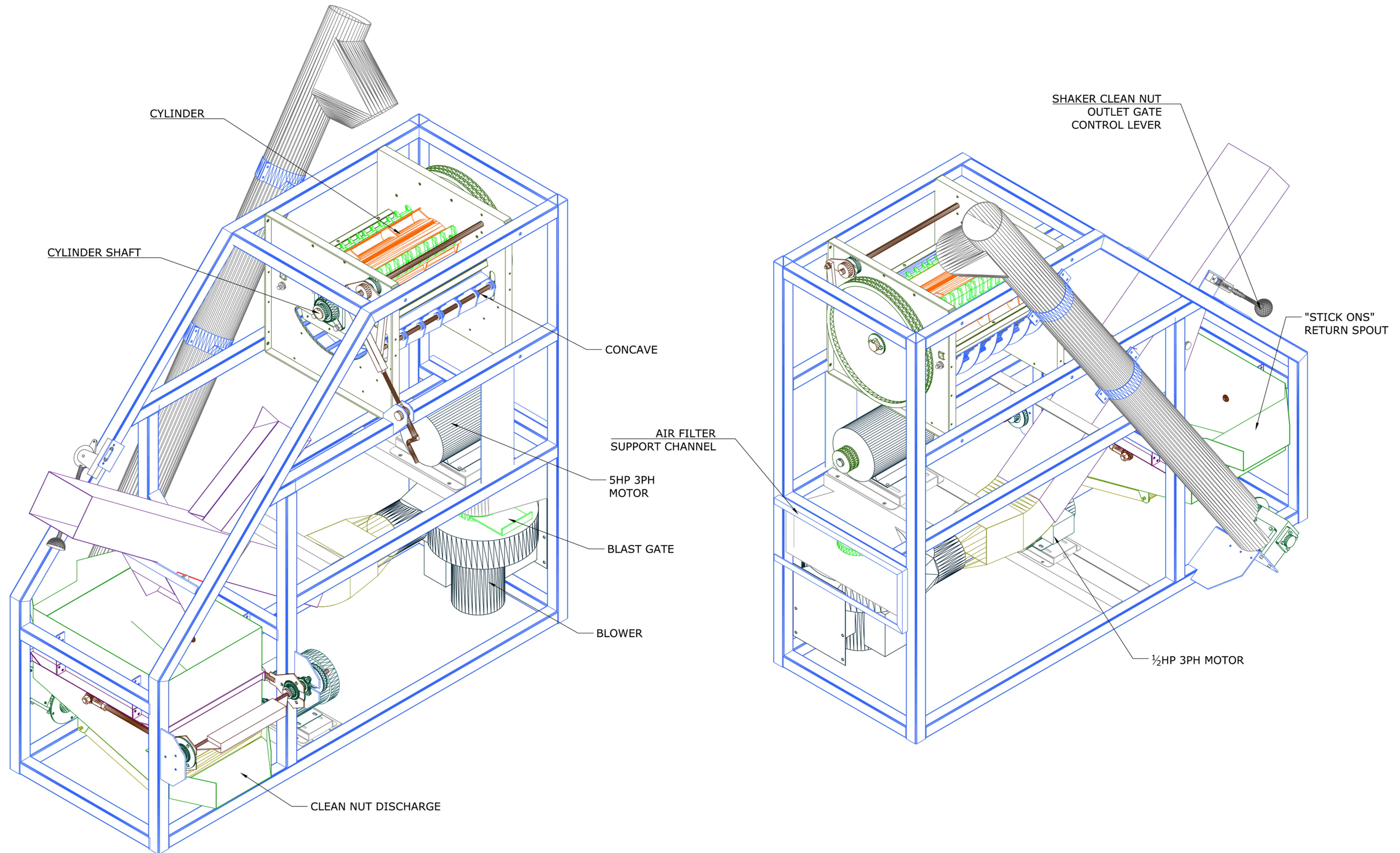


# X2000 HAZELNUT HUSKER



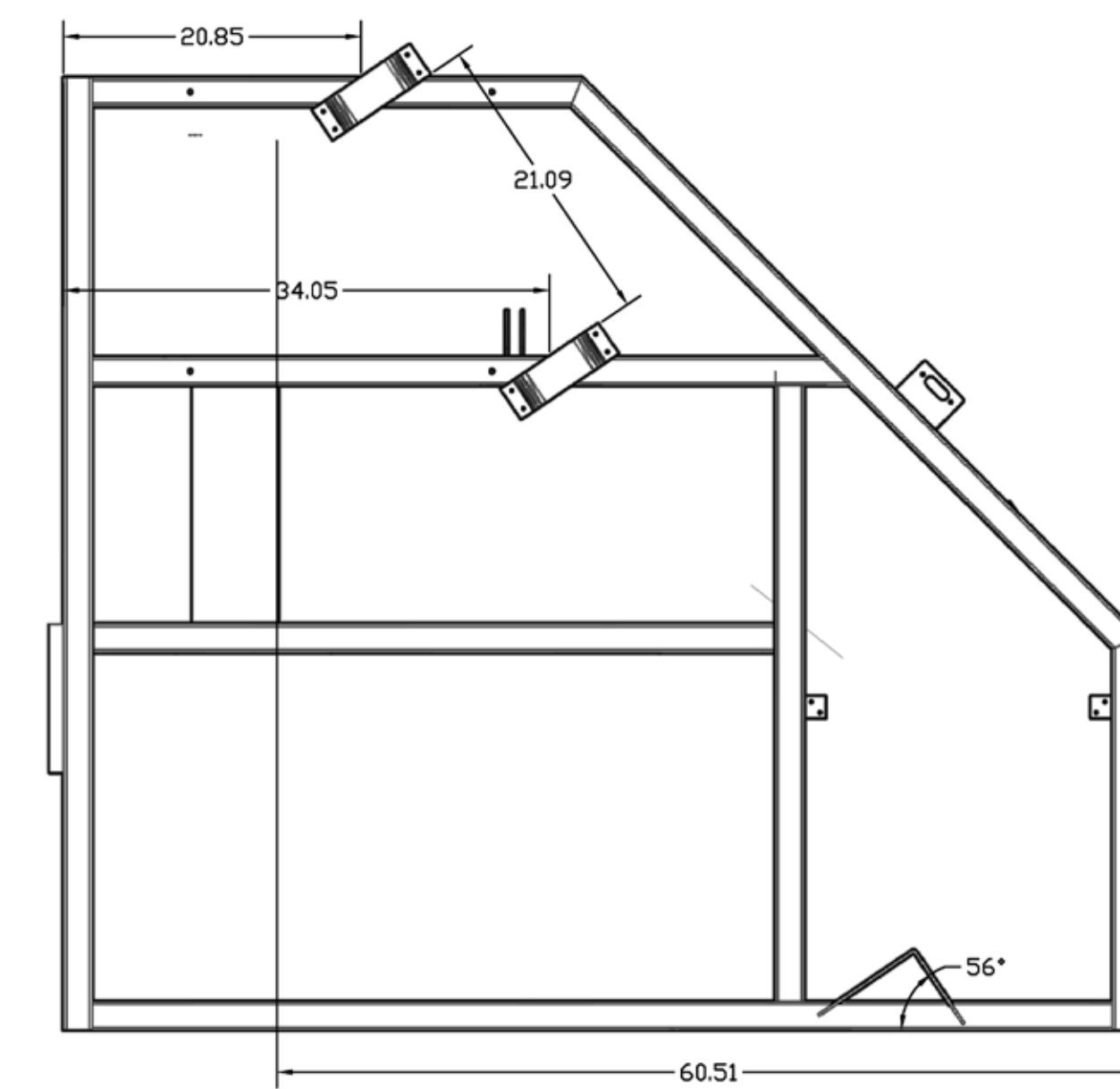
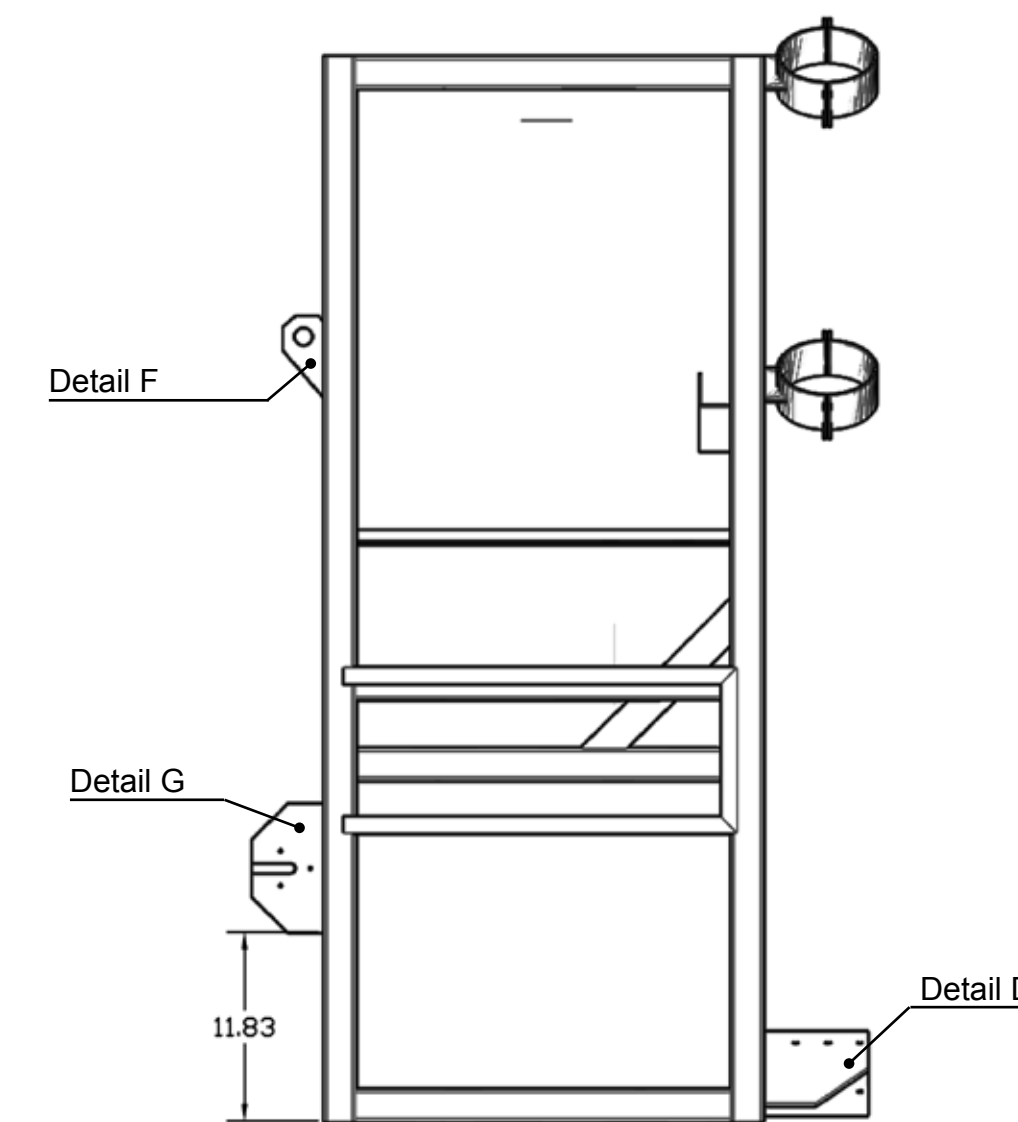
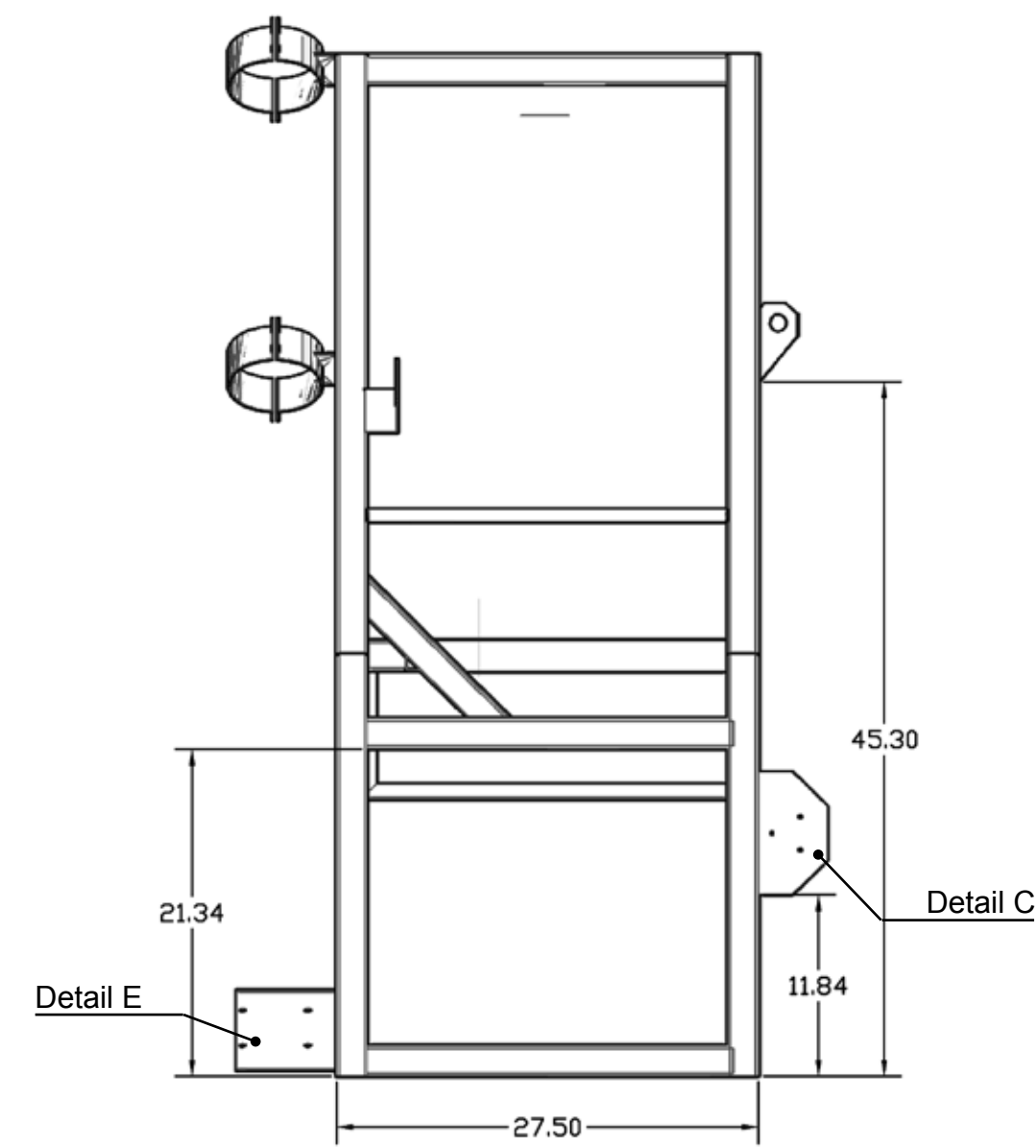
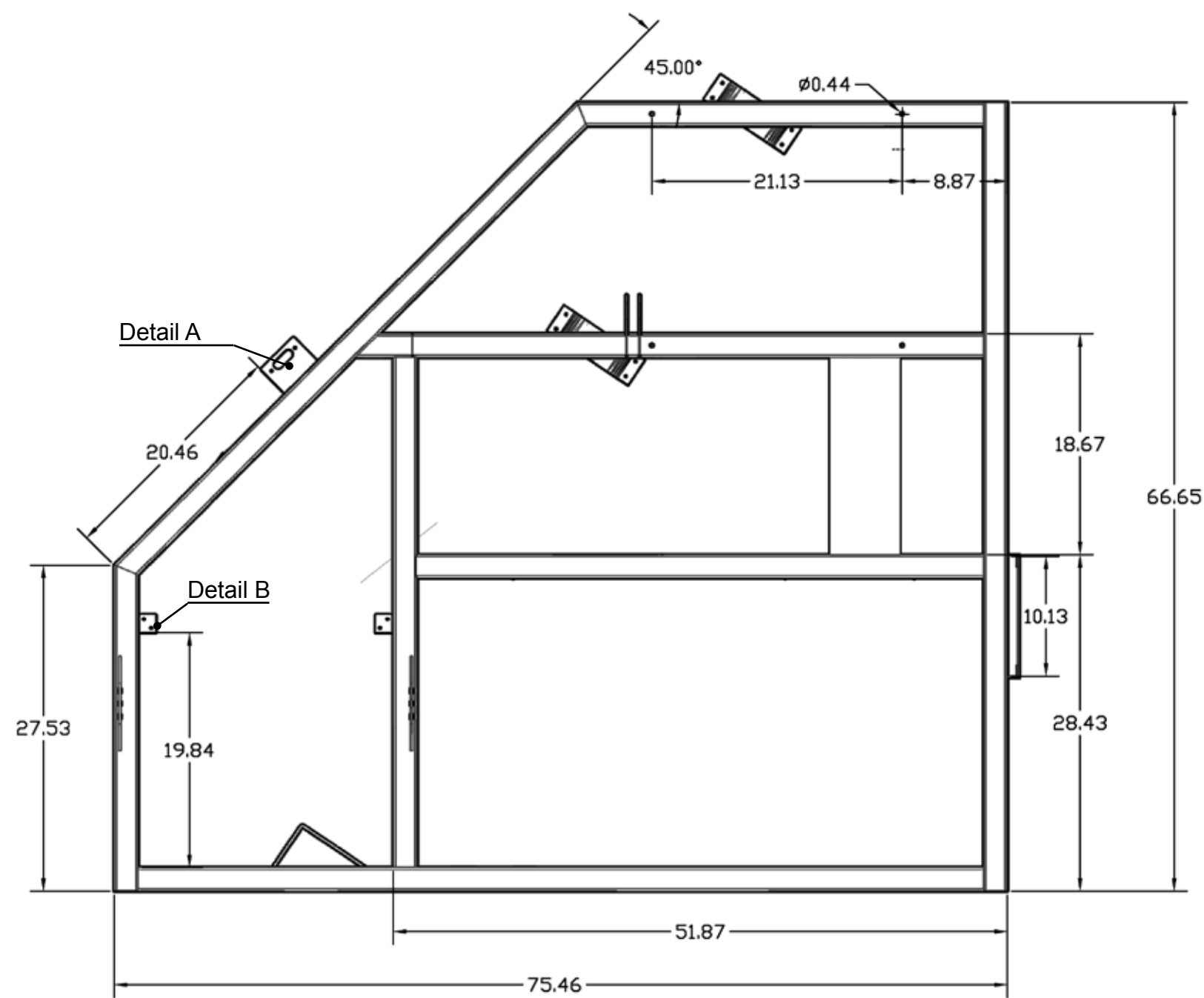
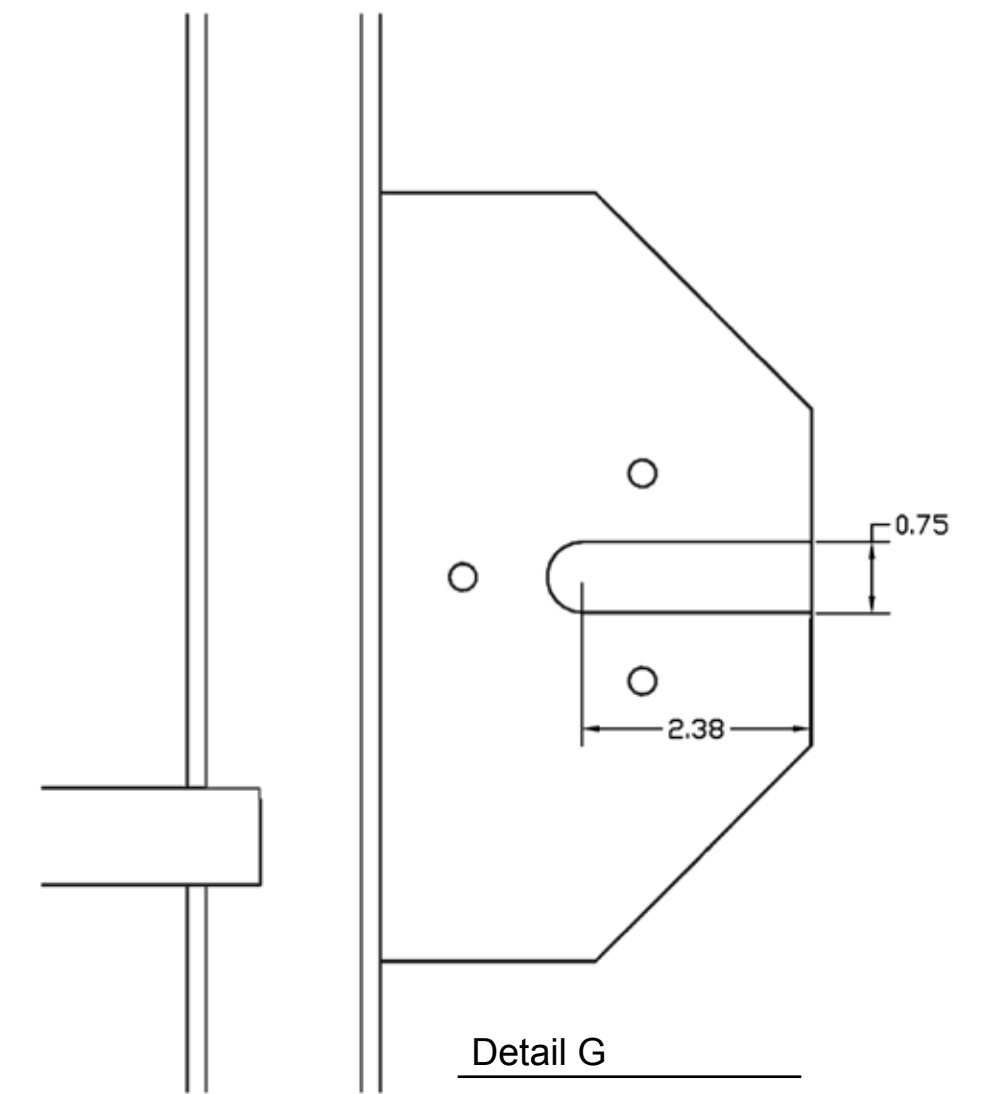
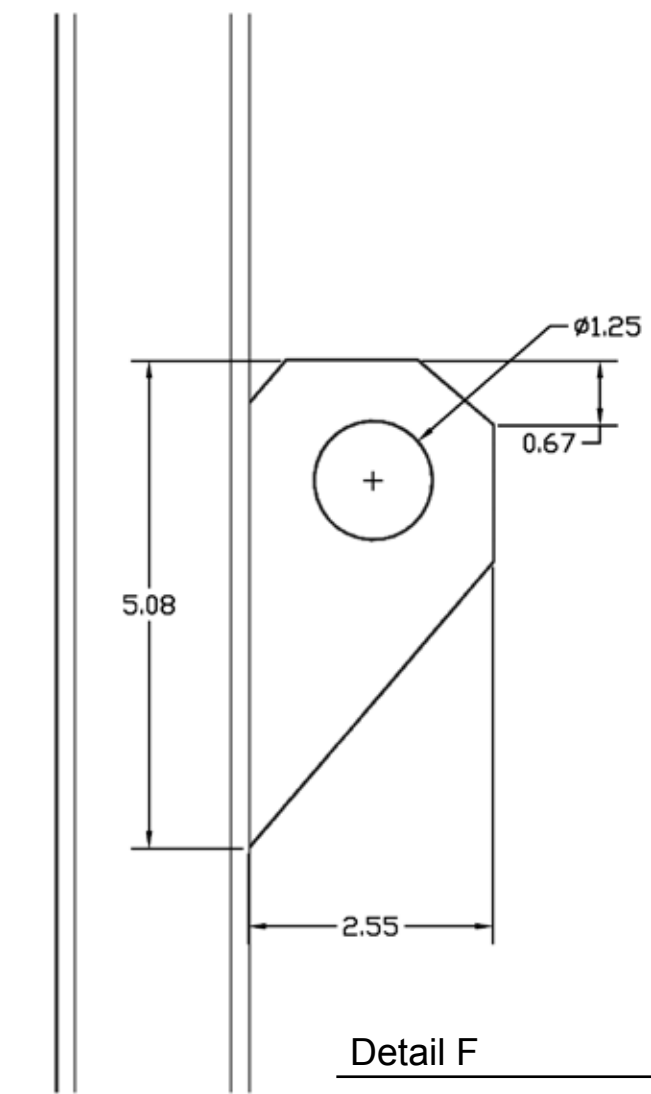
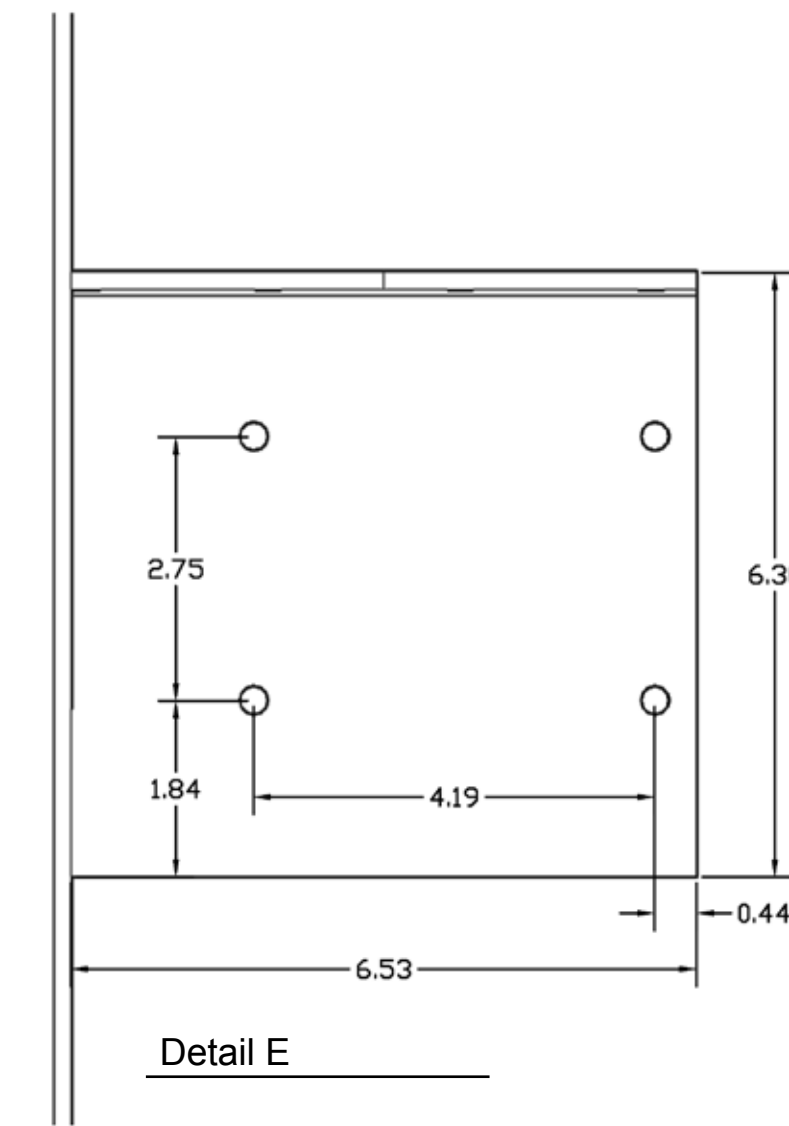
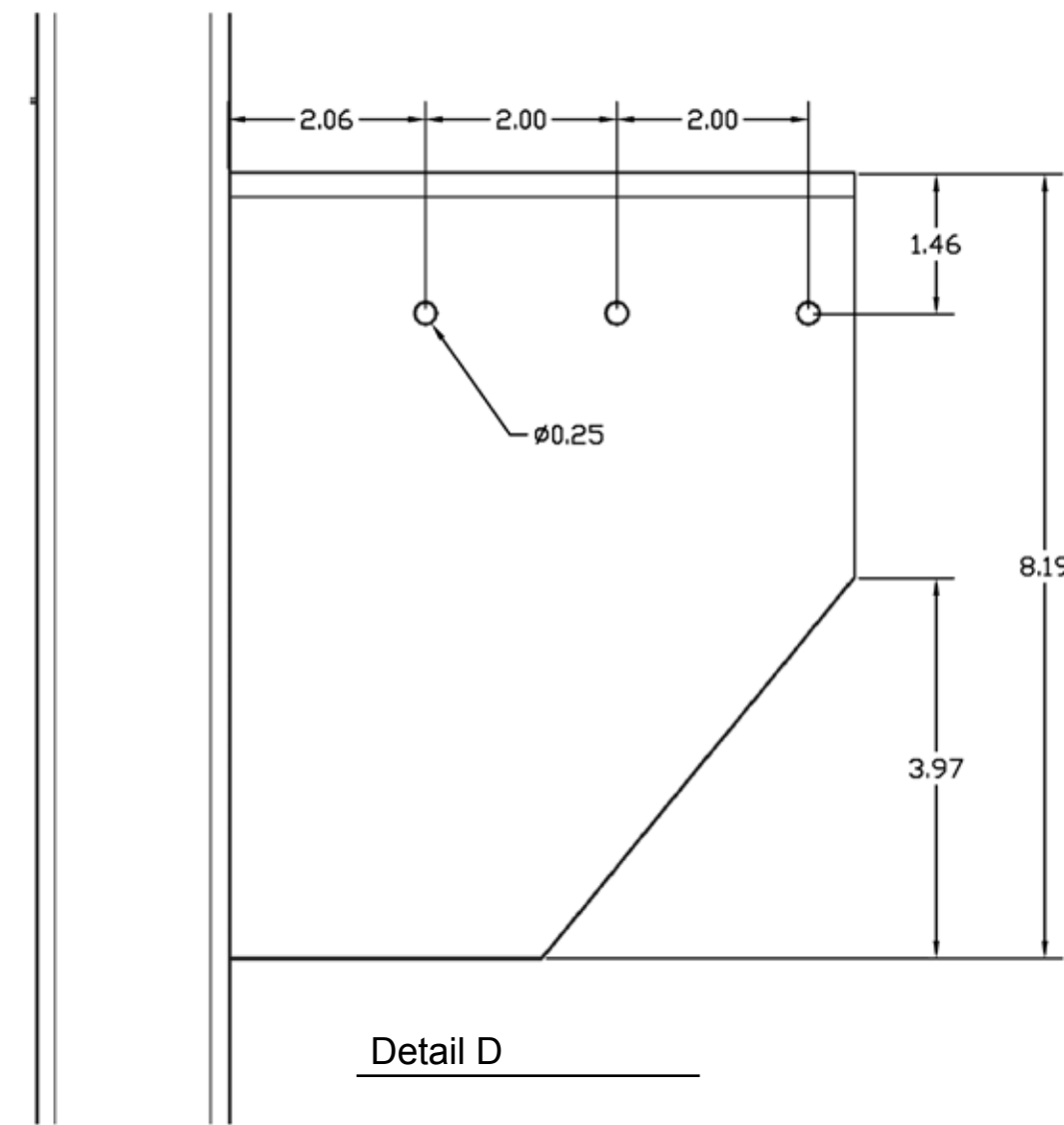
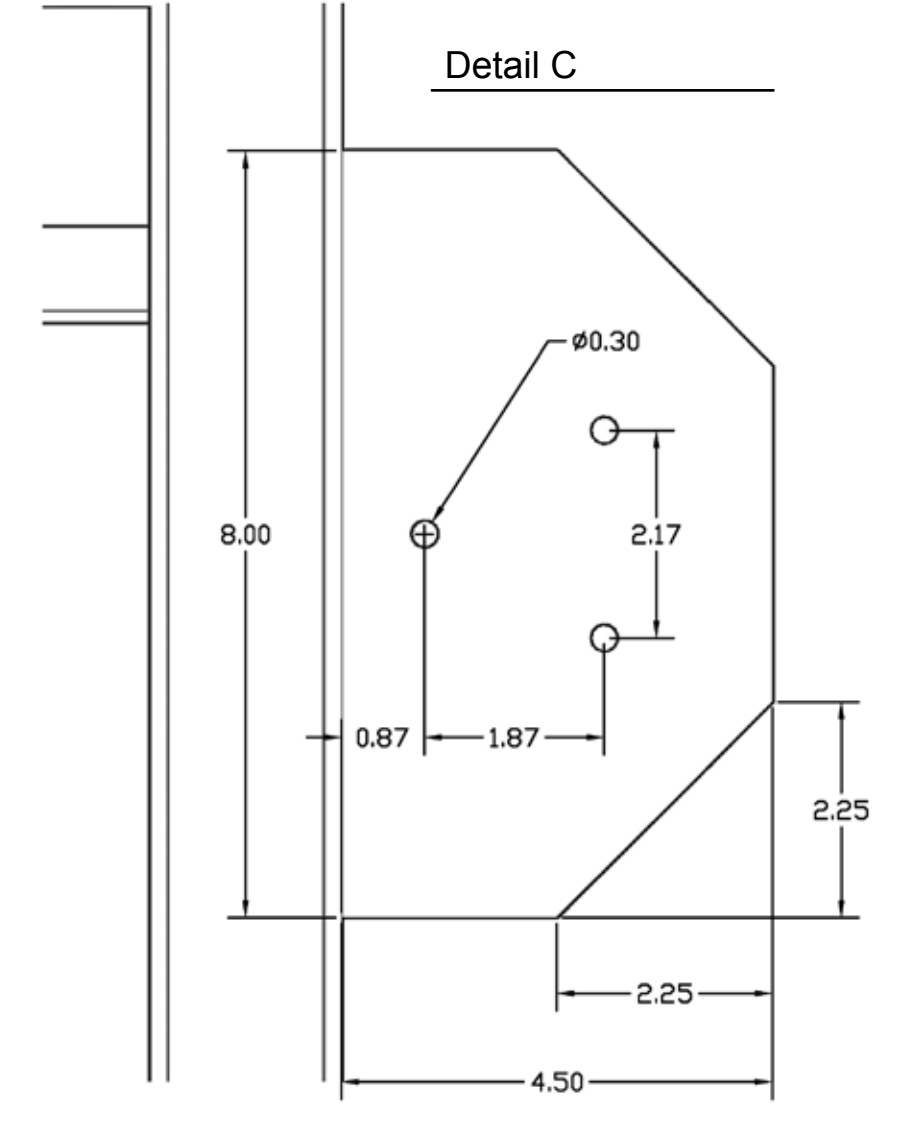
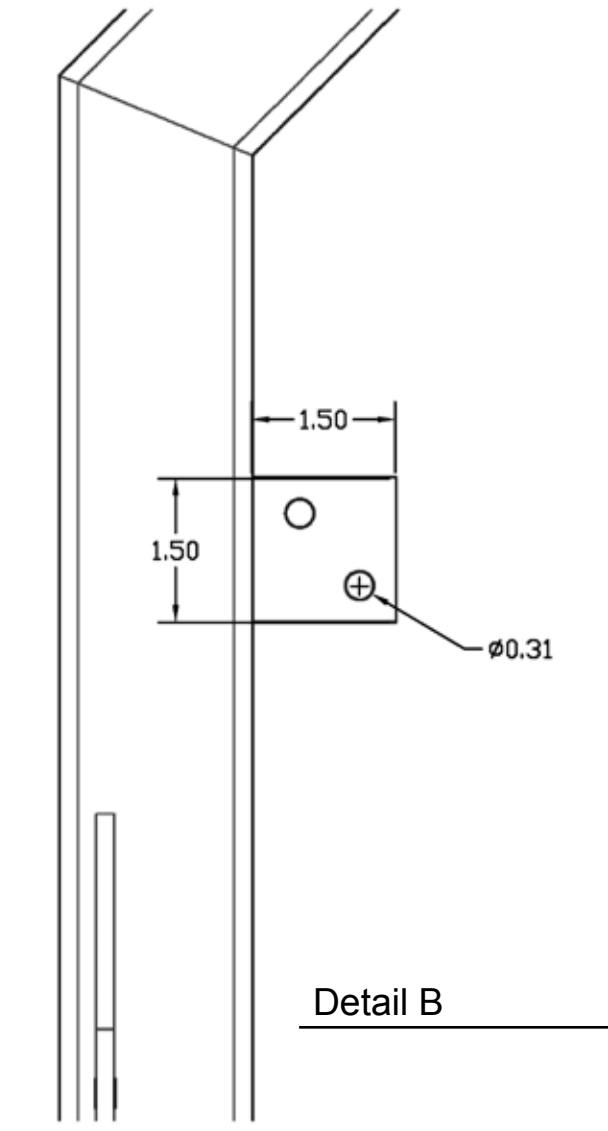
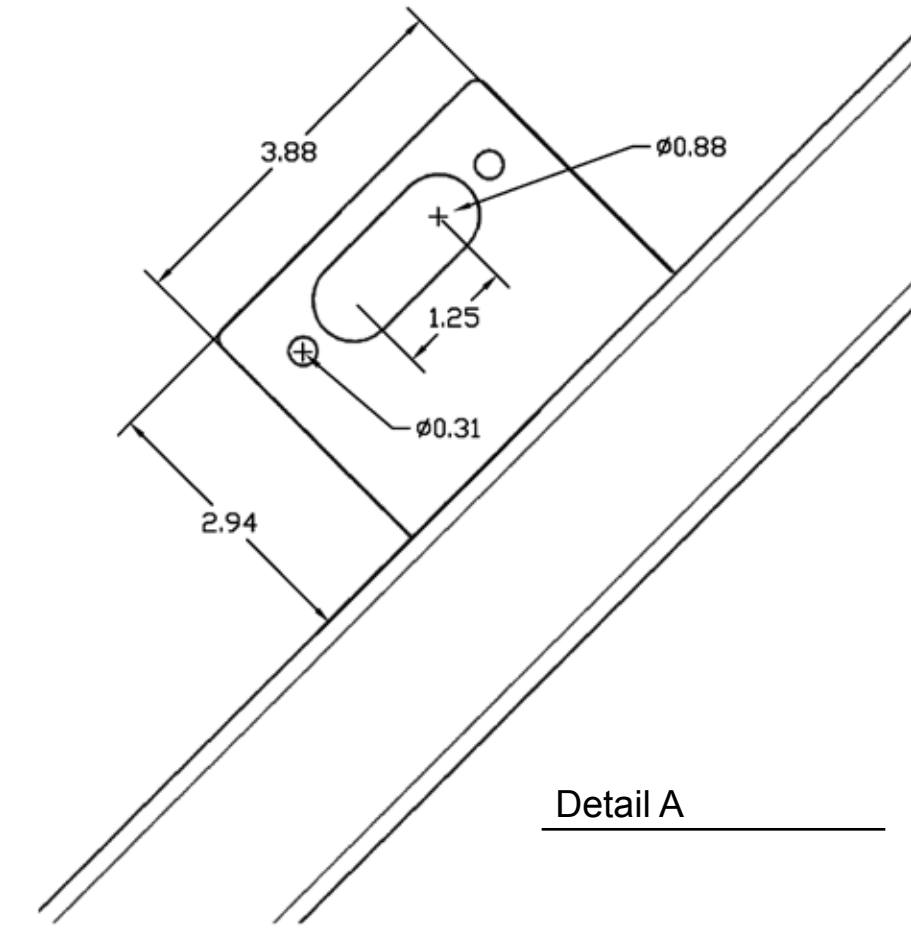
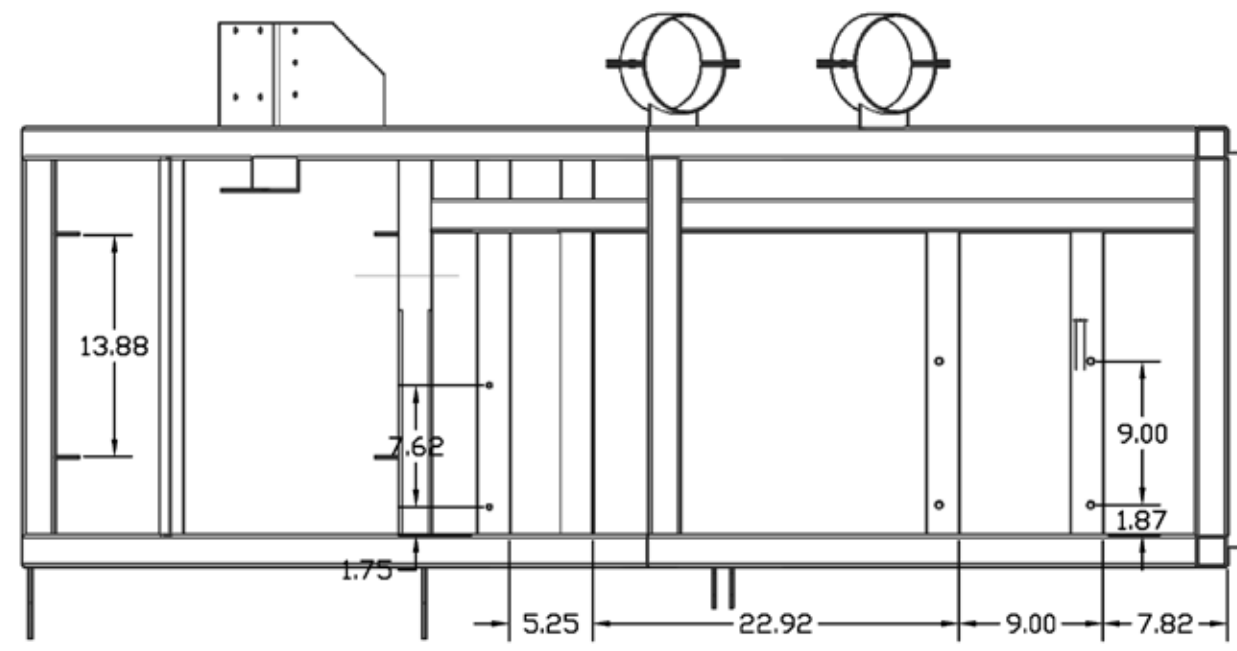
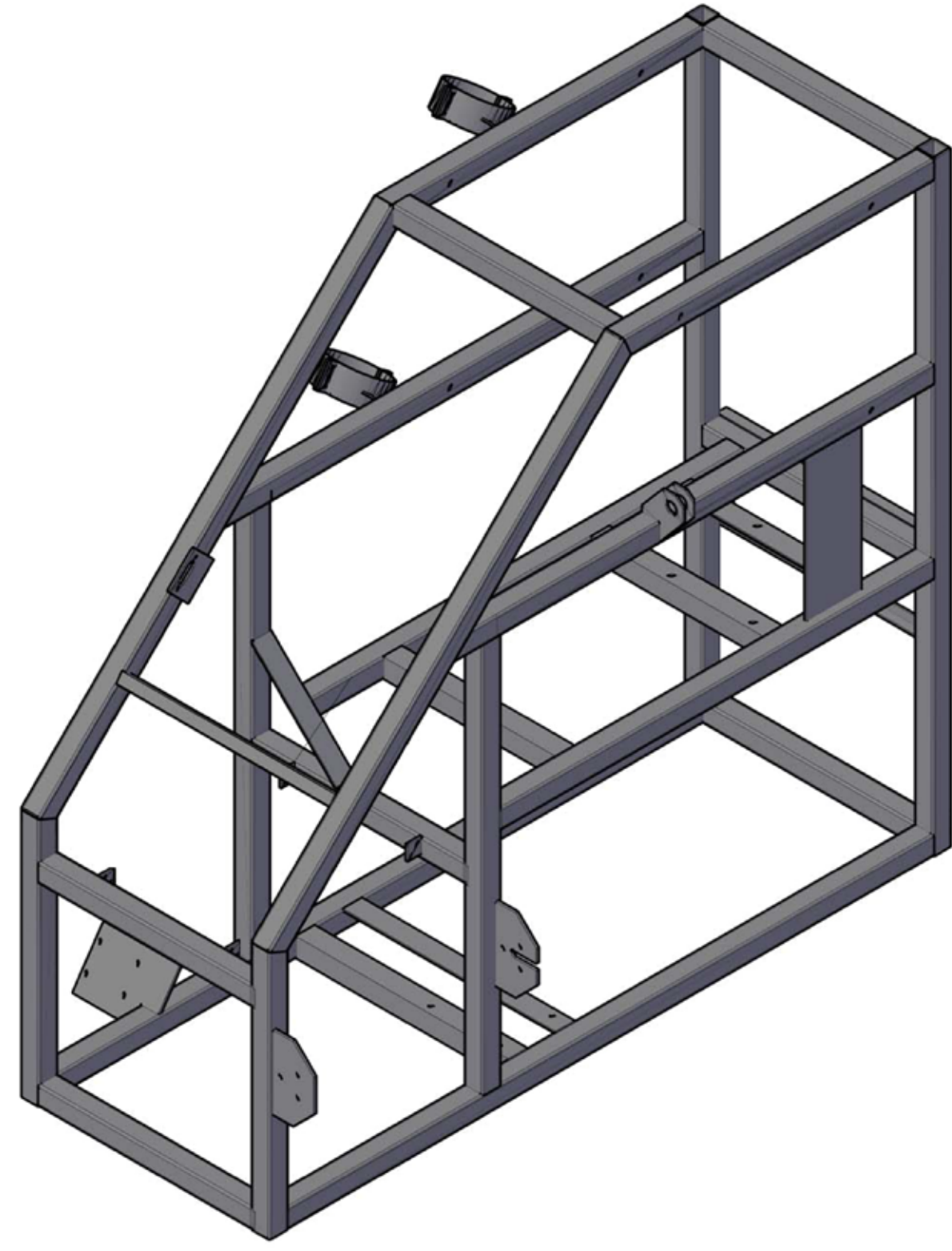


# X2000 HAZELNUT HUSKER



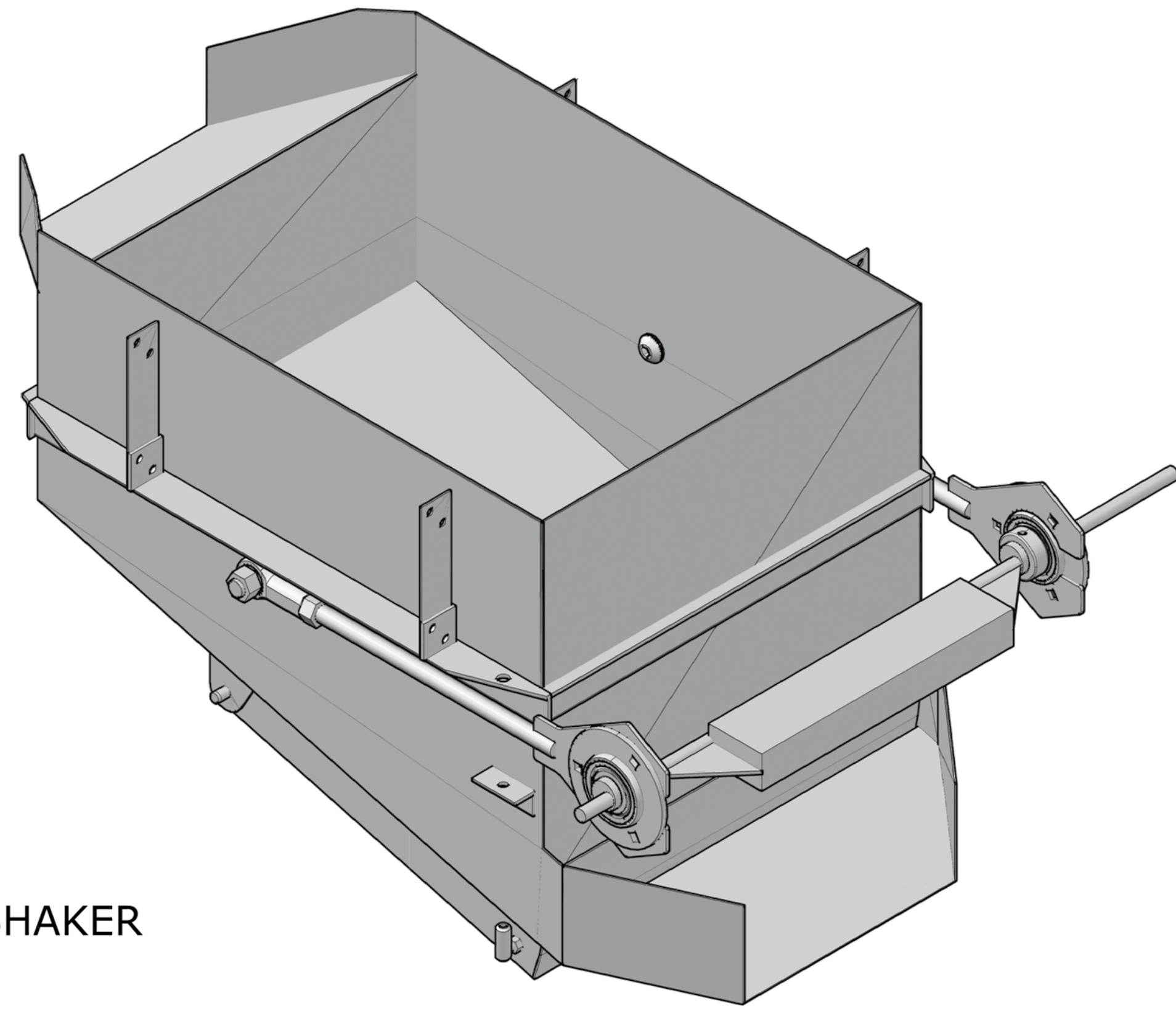


# X2000 HAZELNUT HUSKER

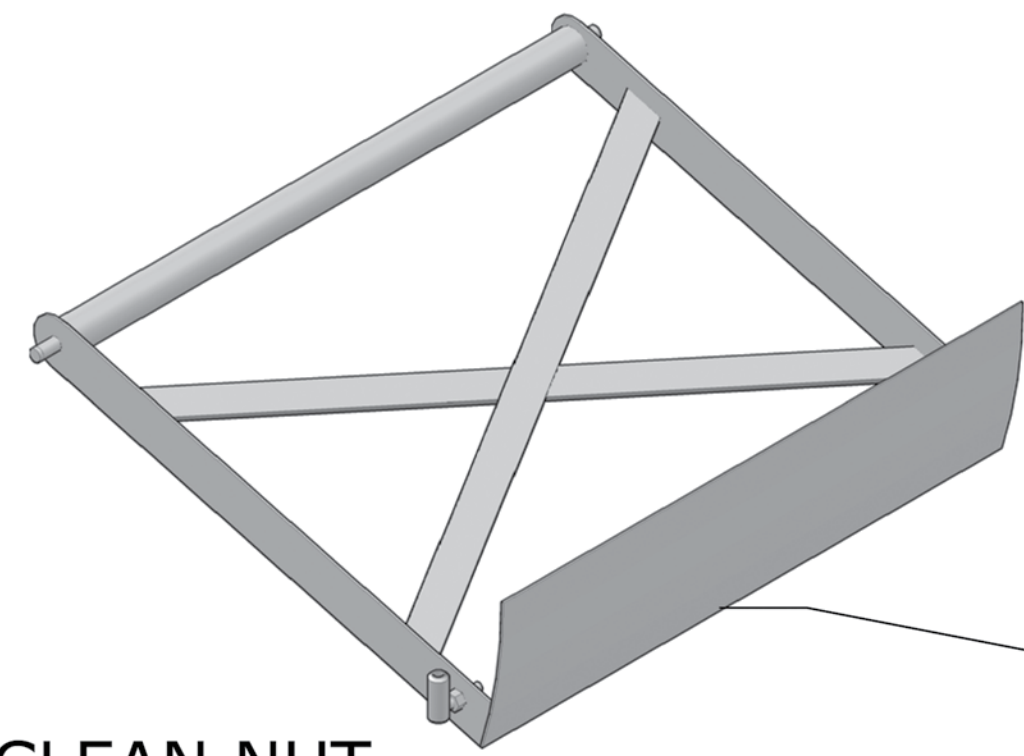
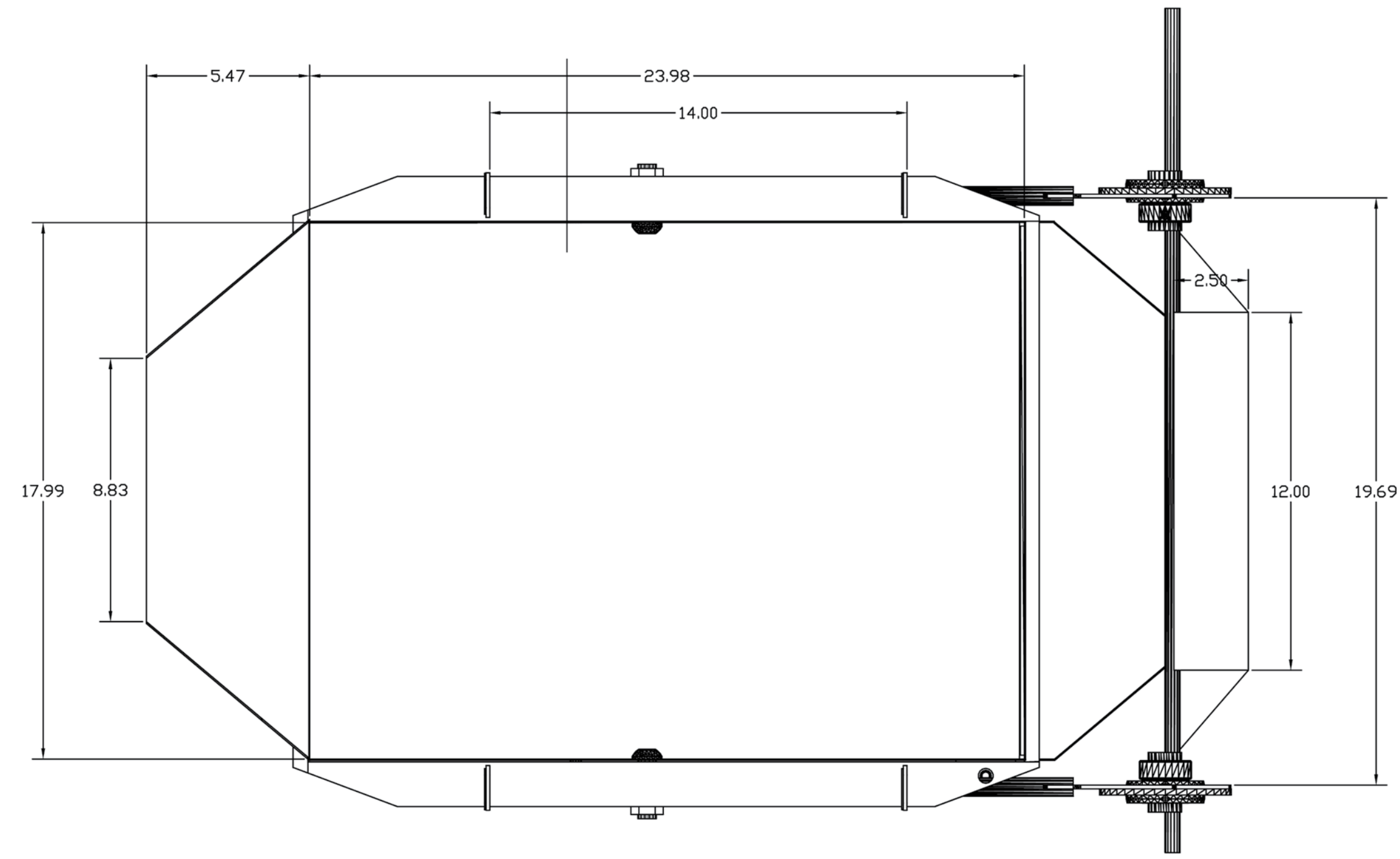




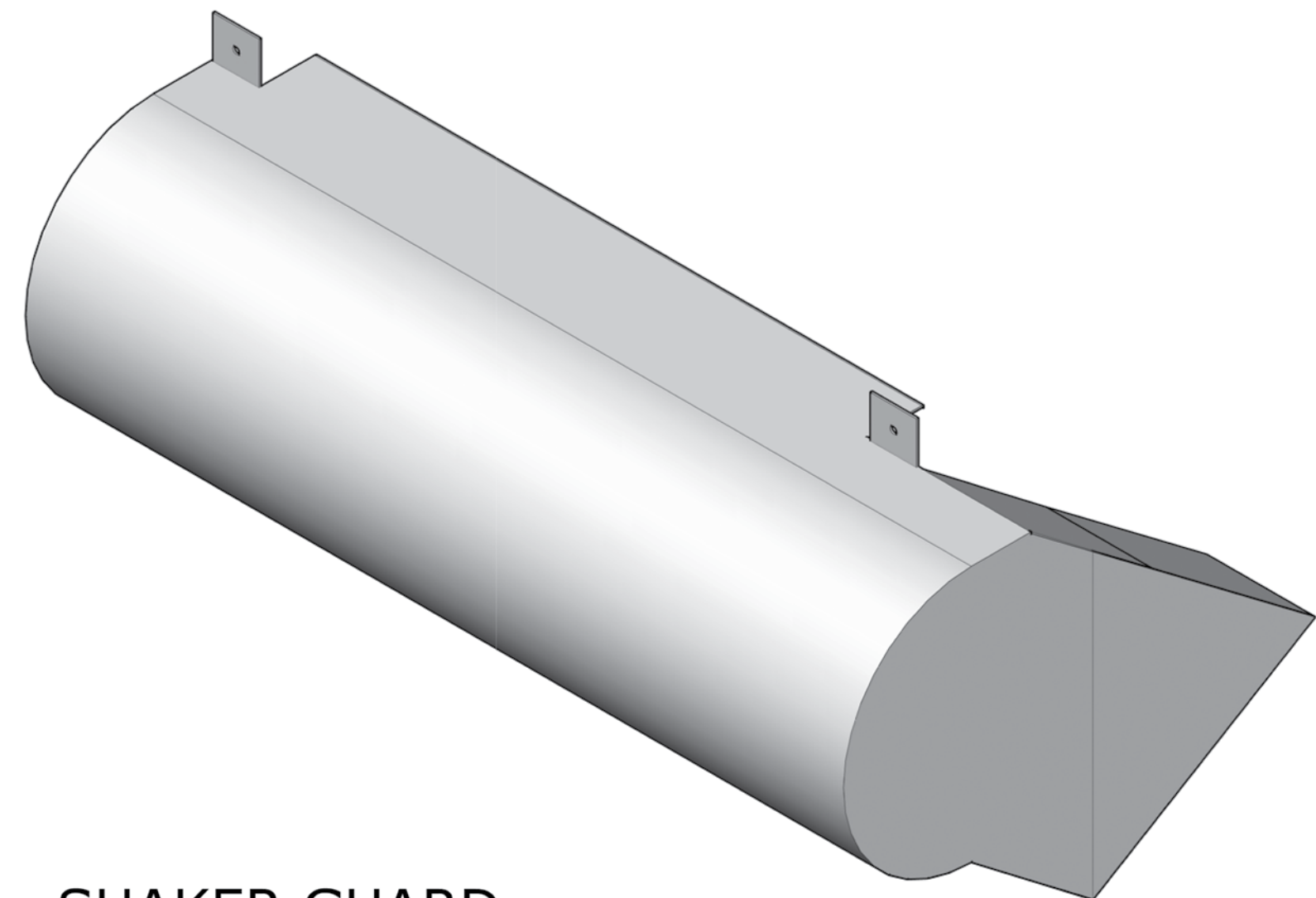
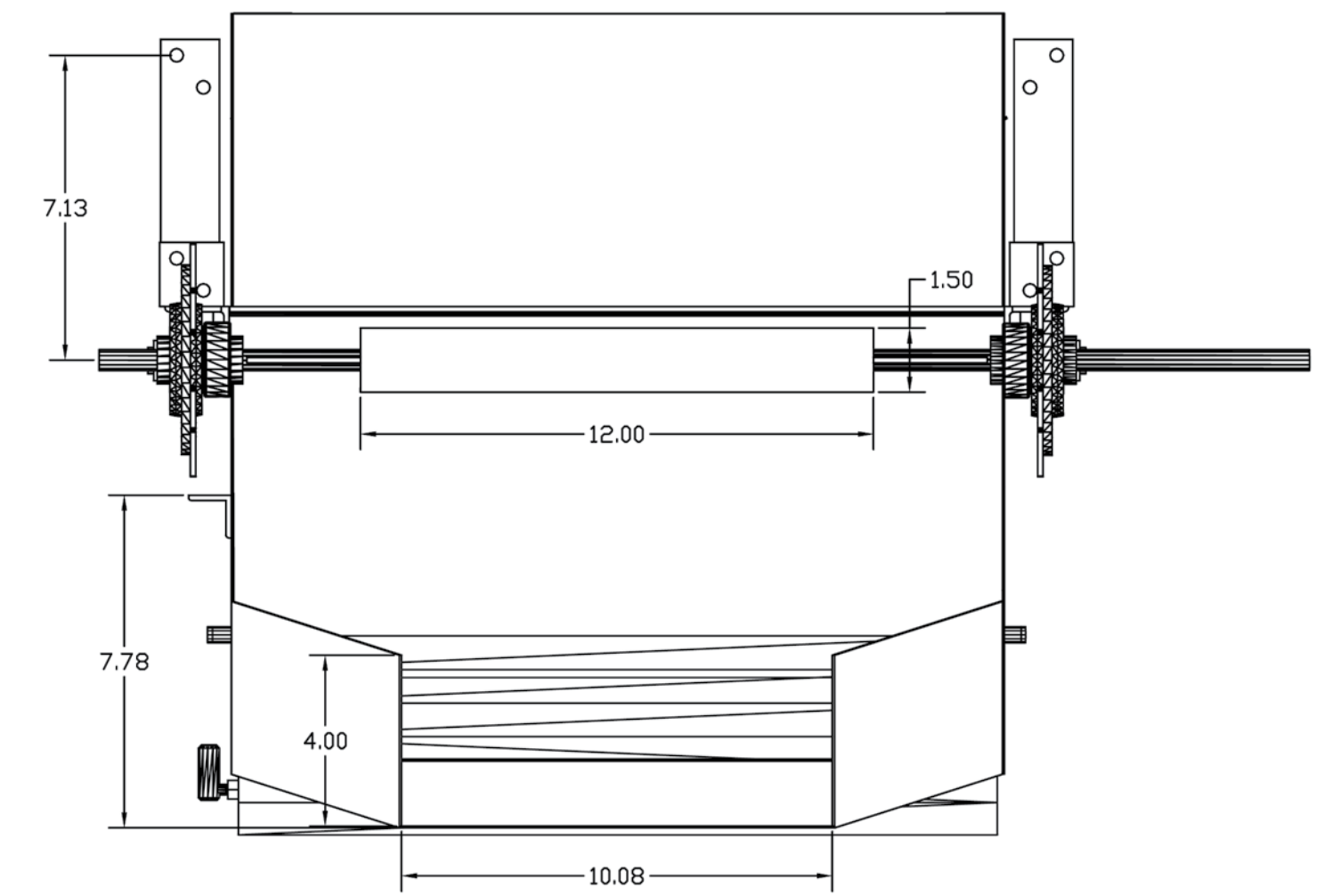
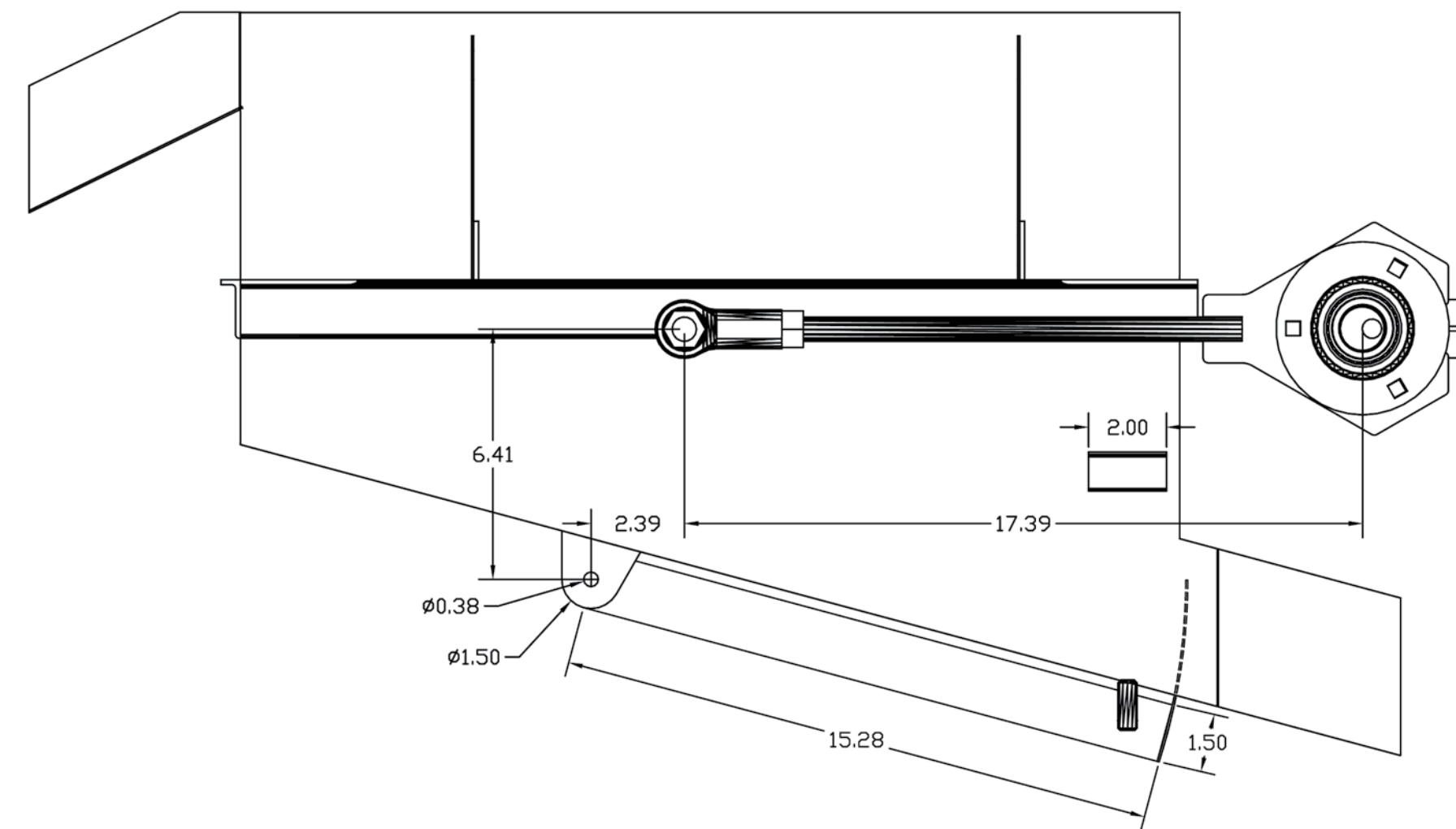
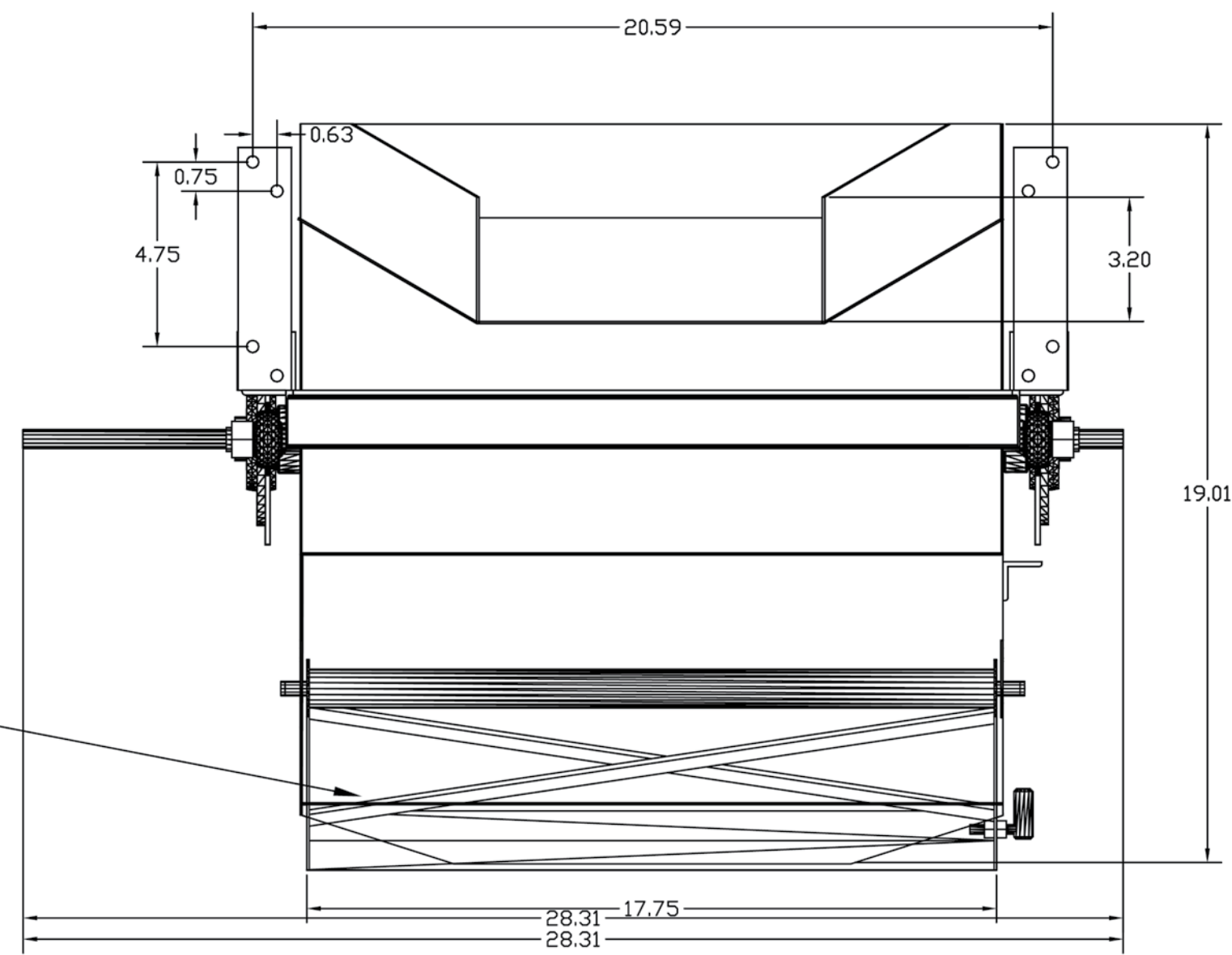
# X2000 HAZELNUT HUSKER



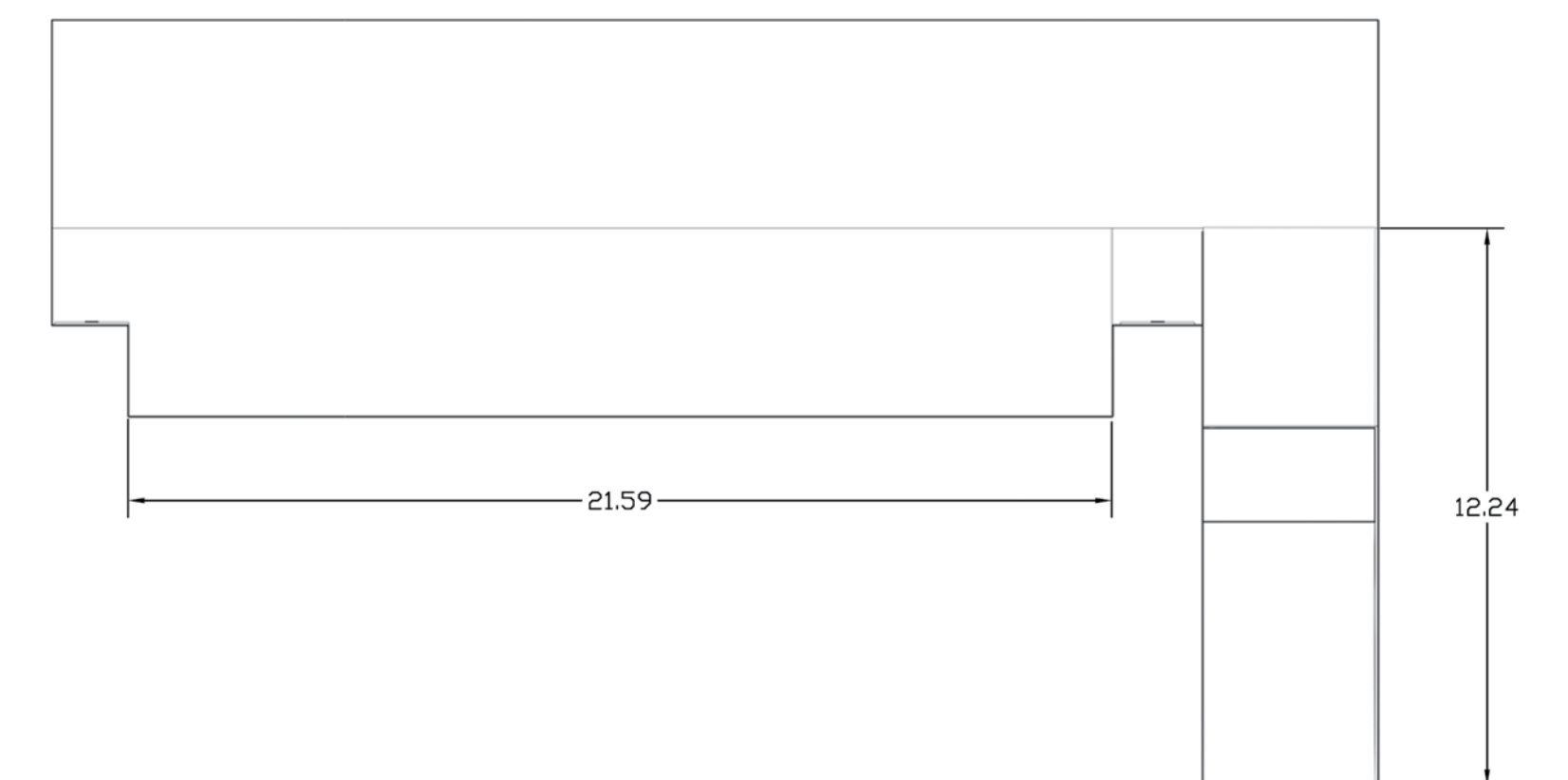
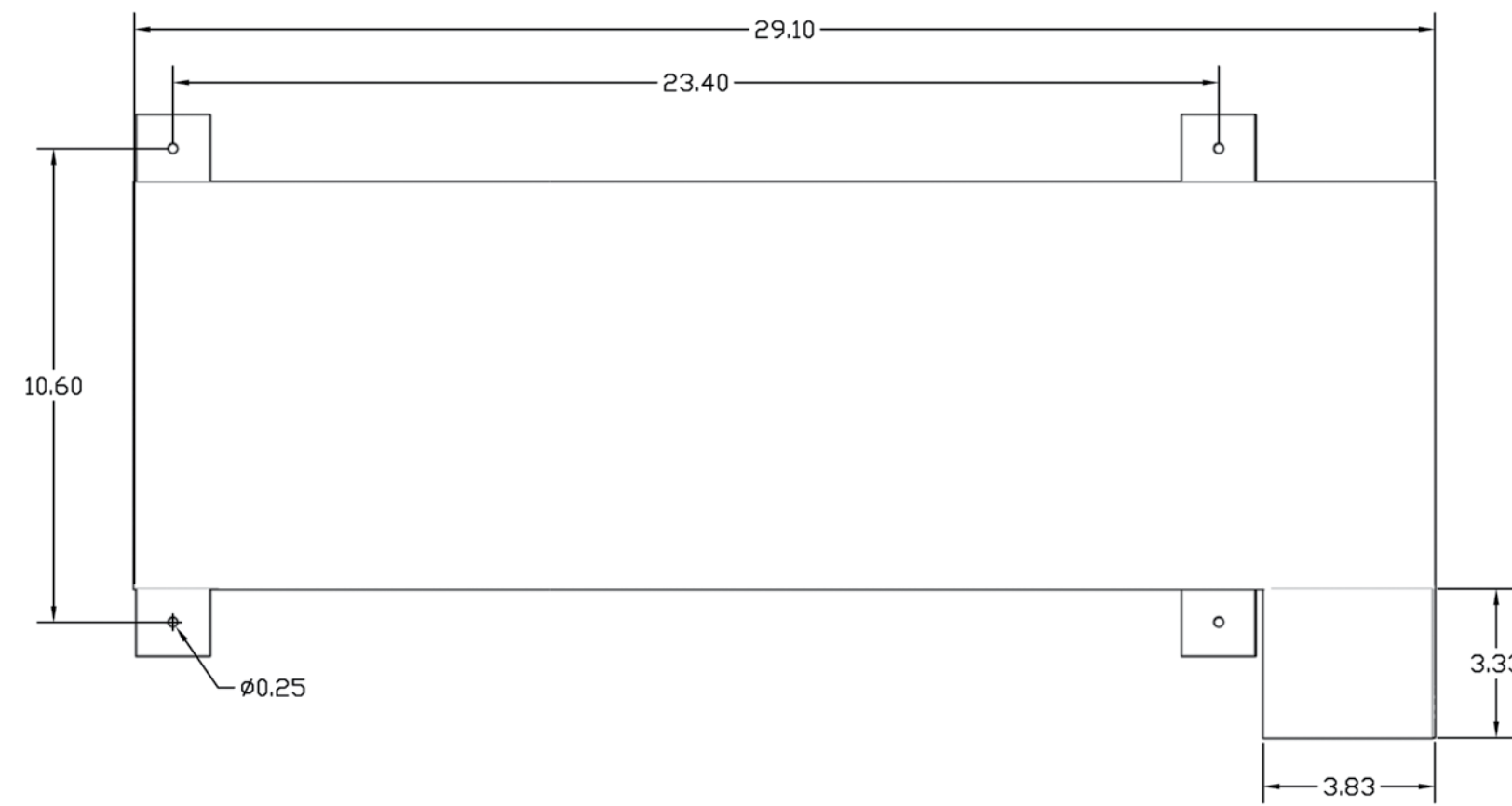
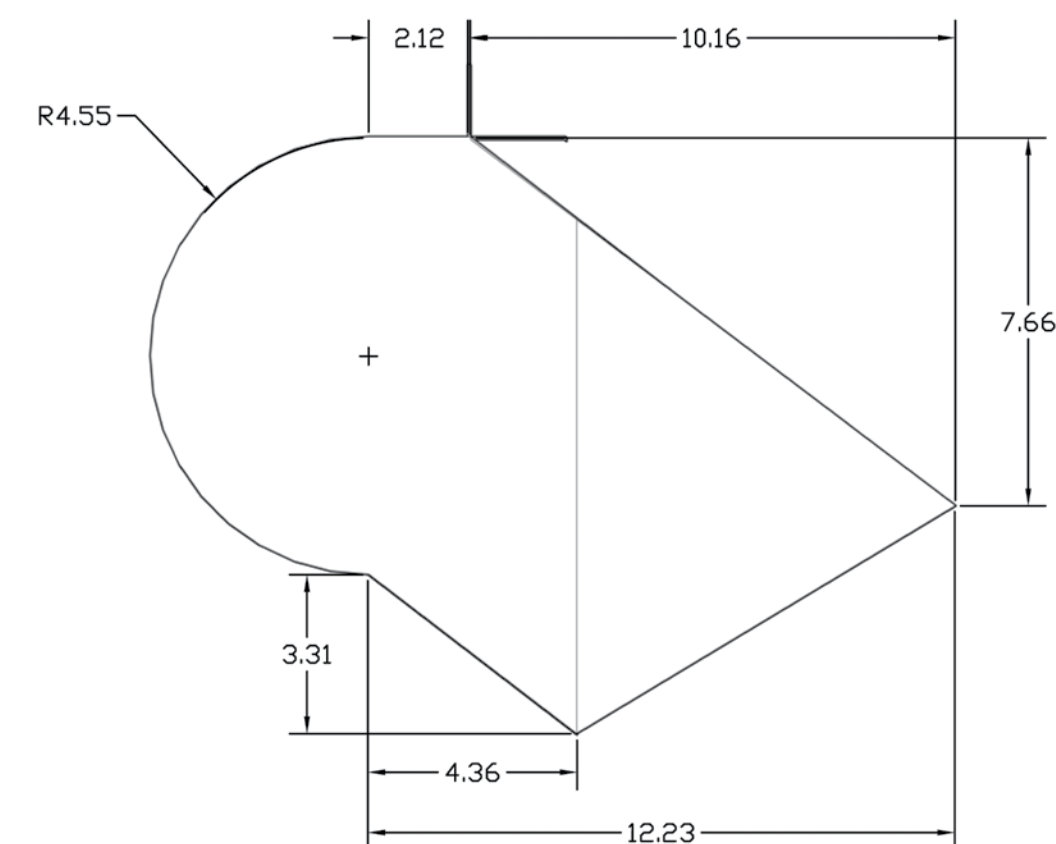
SHAKER



CLEAN NUT DISCHARGE GATE

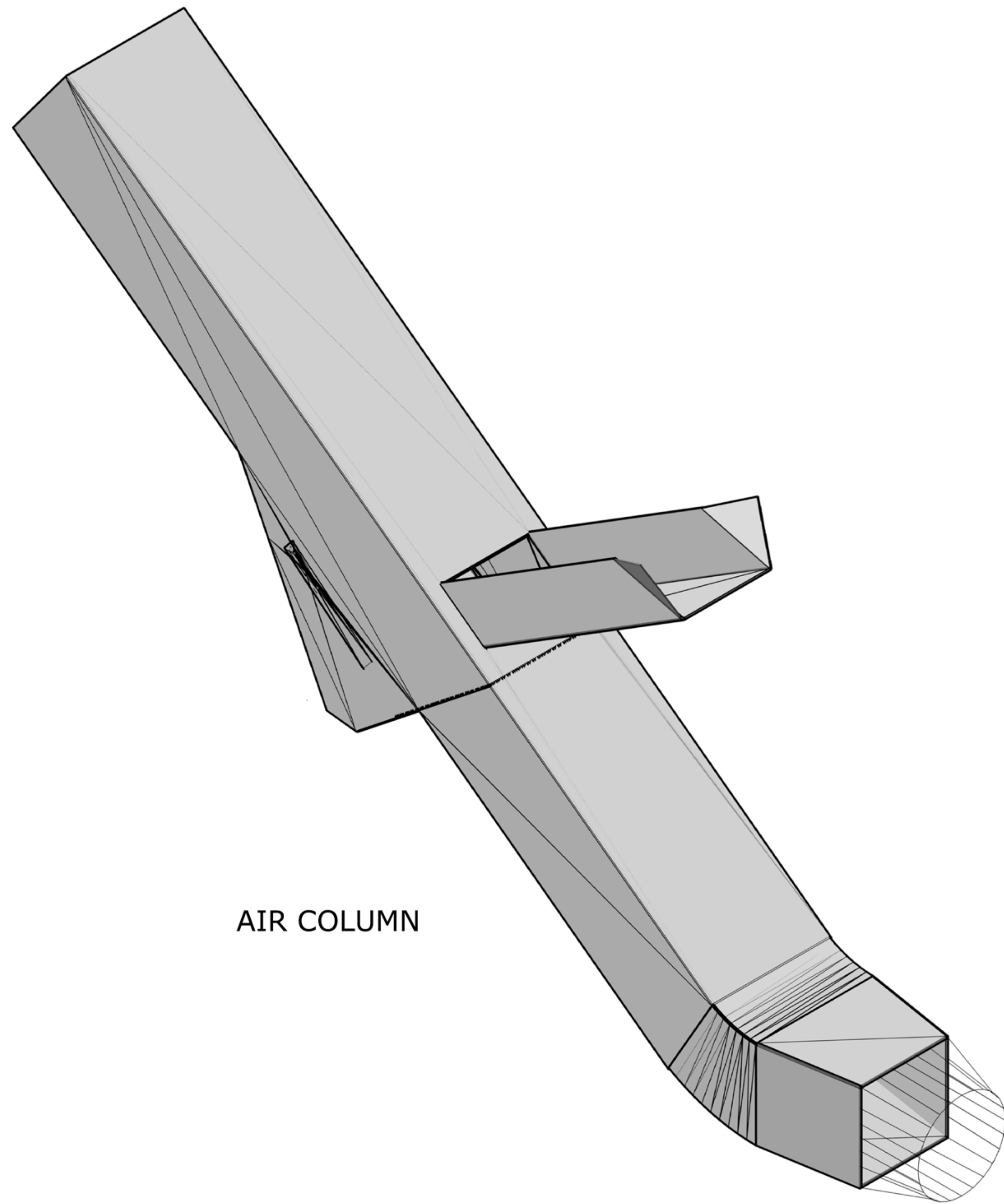


SHAKER GUARD

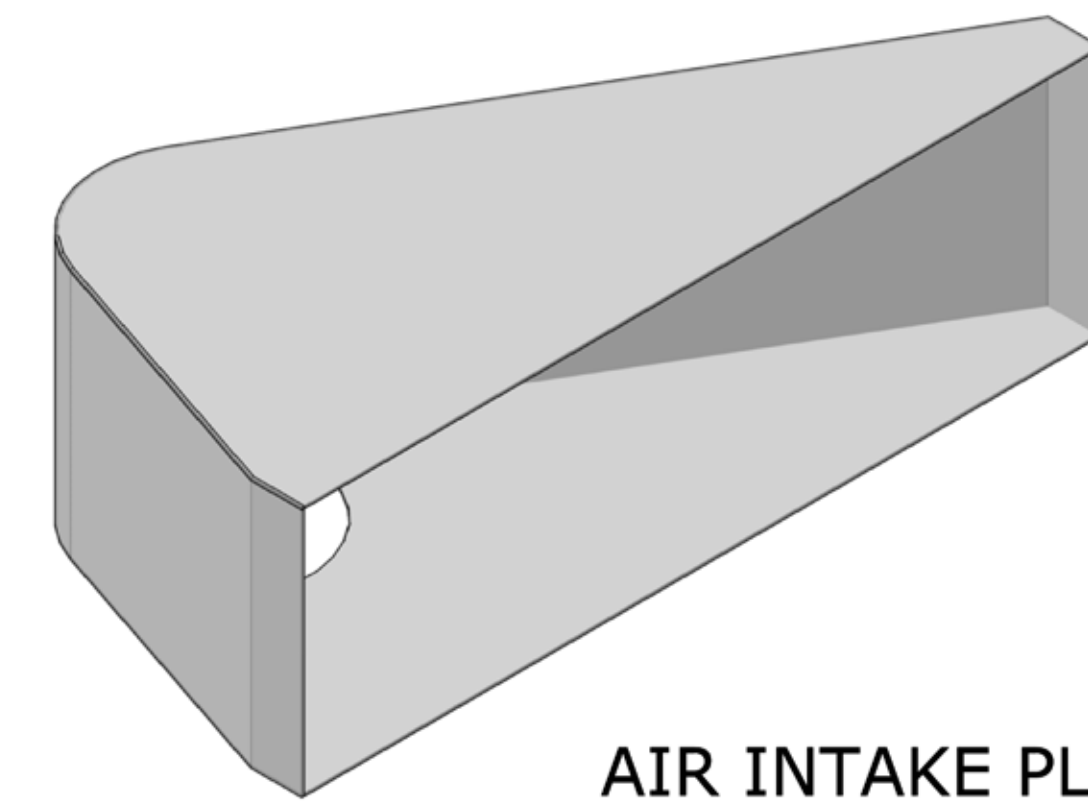
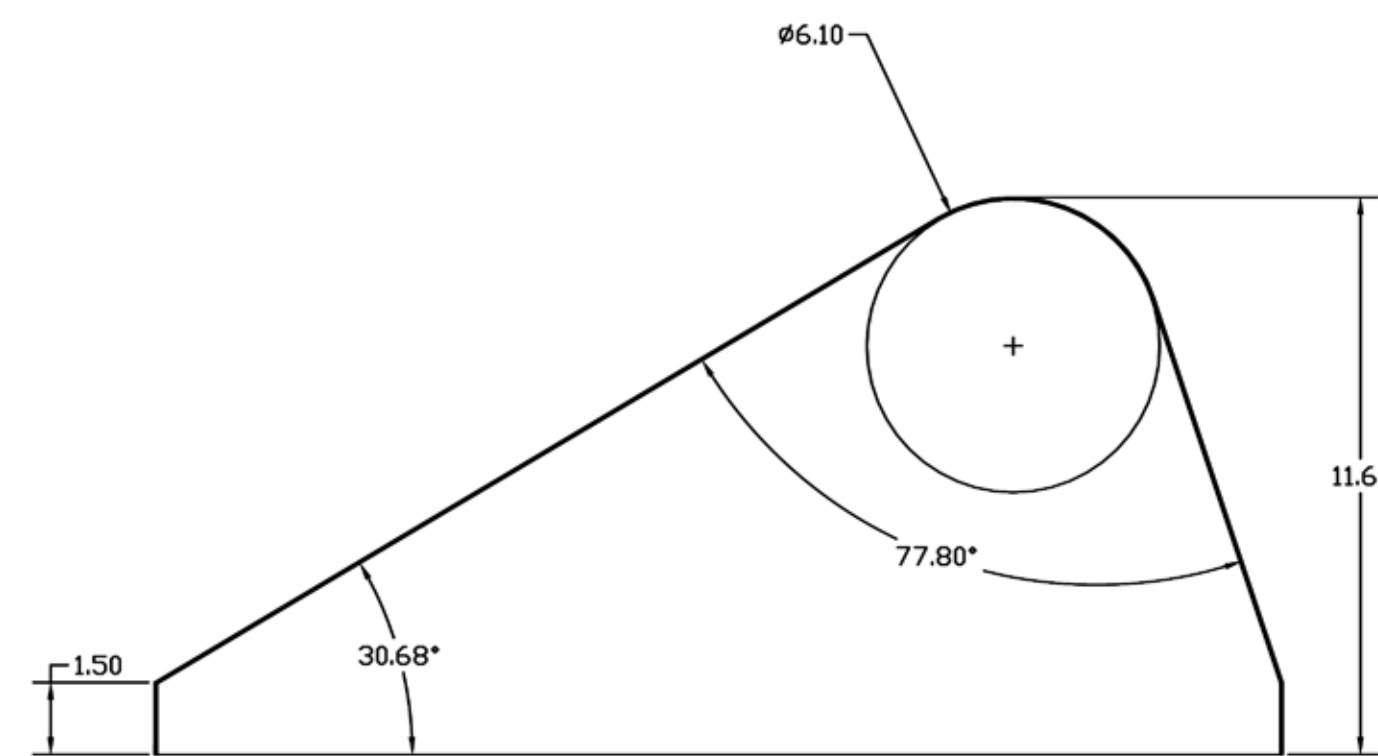
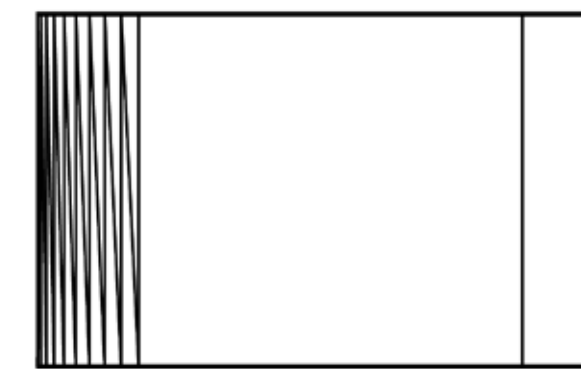
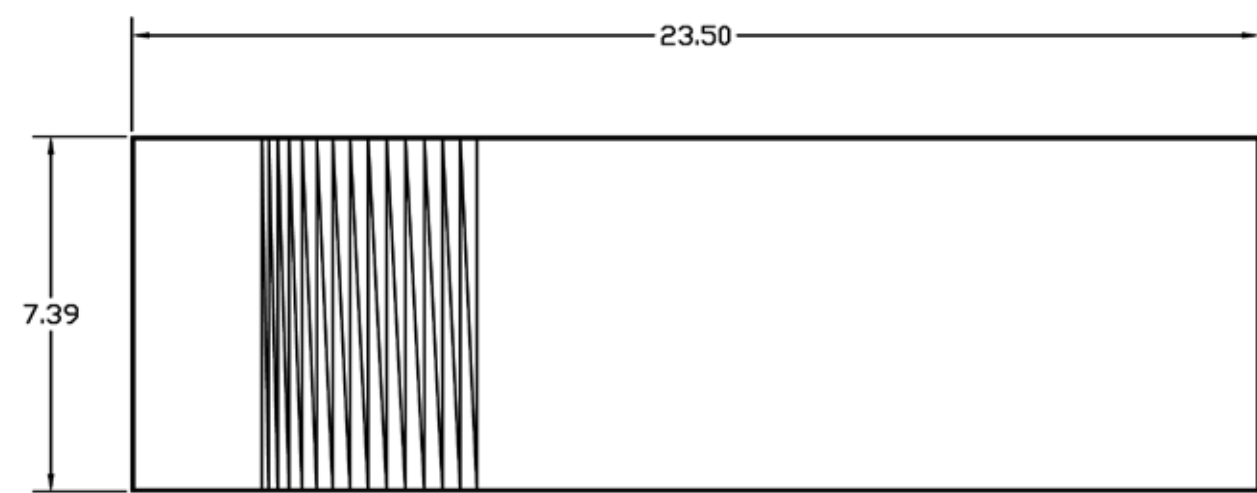
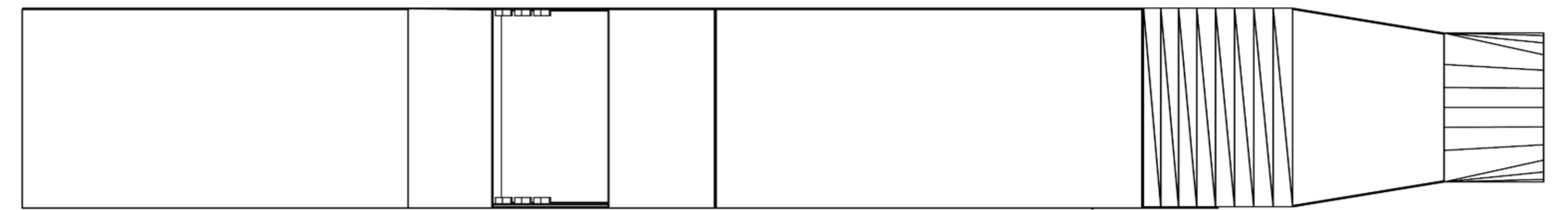
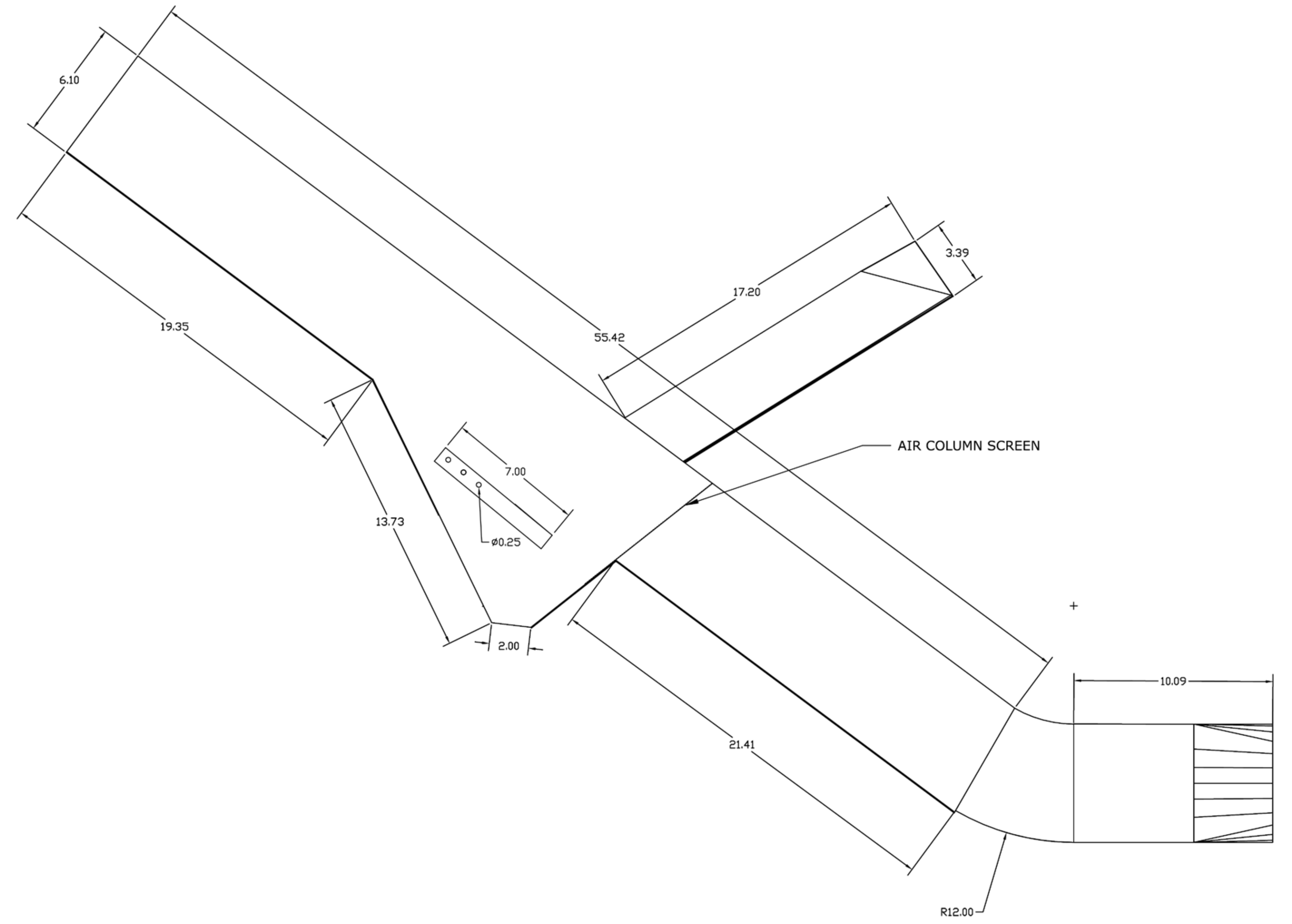
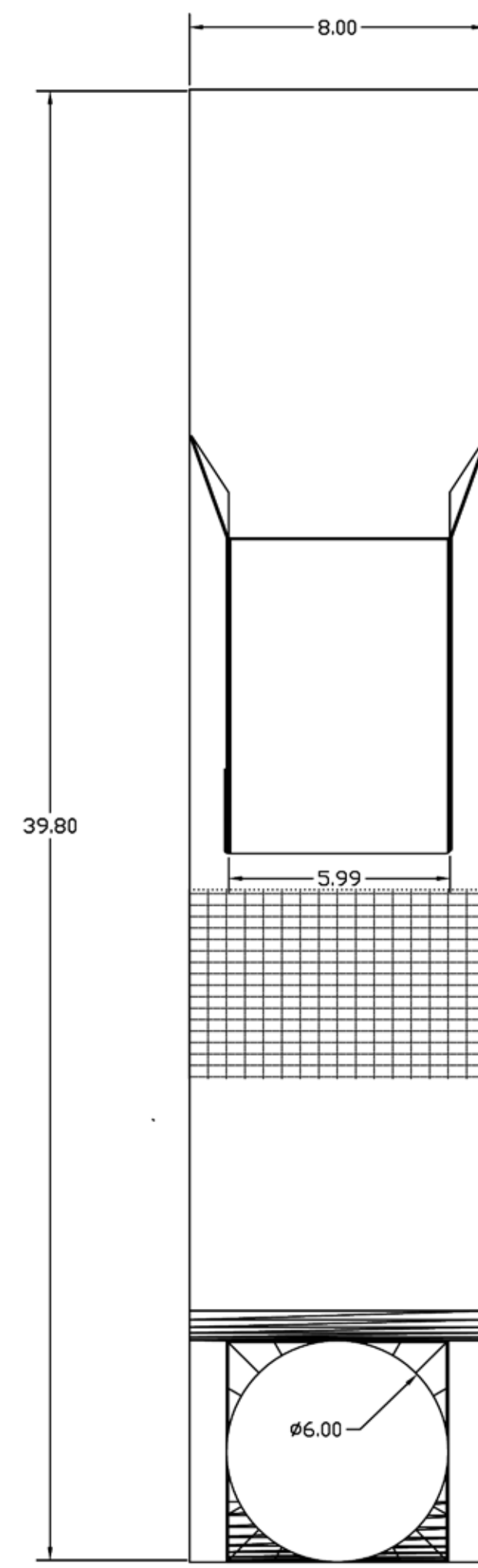




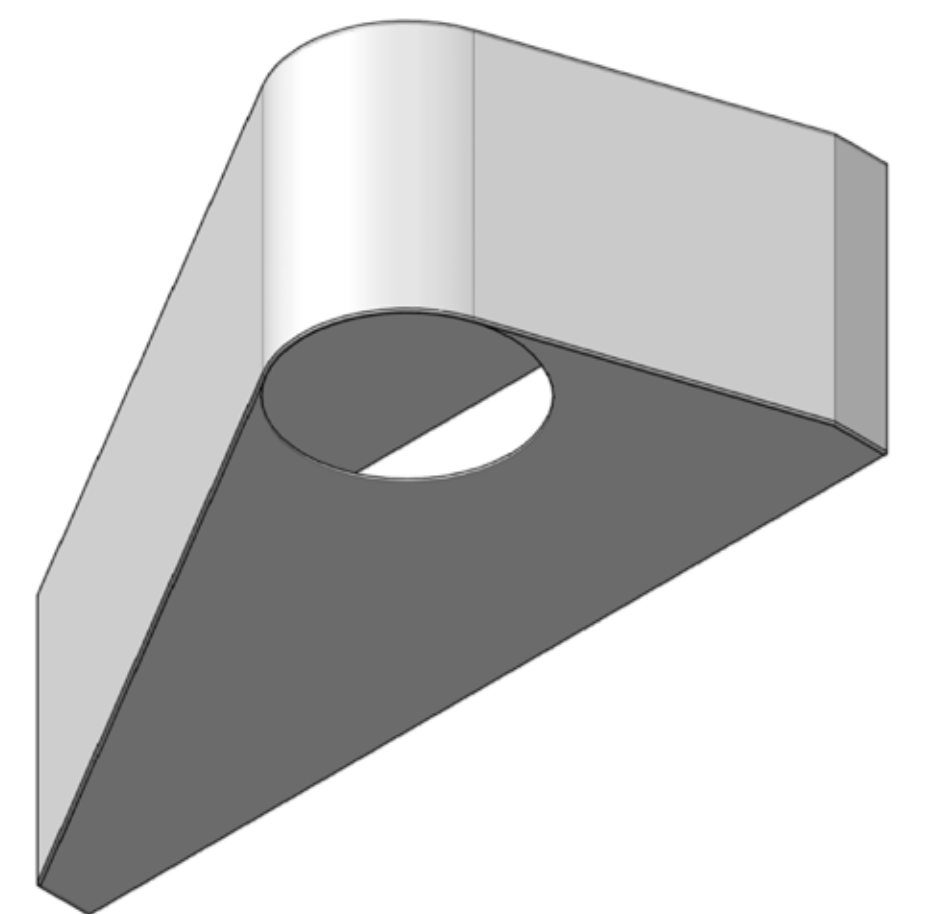
# X2000 HAZELNUT HUSKER



AIR COLUMN

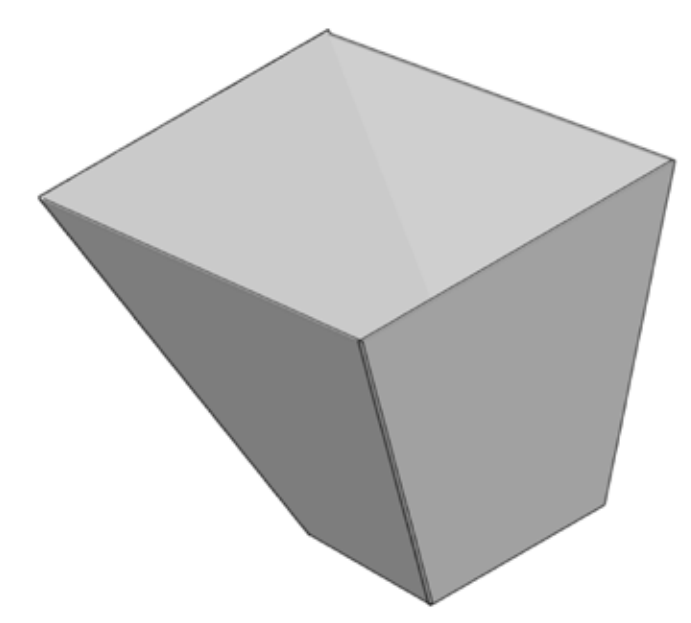
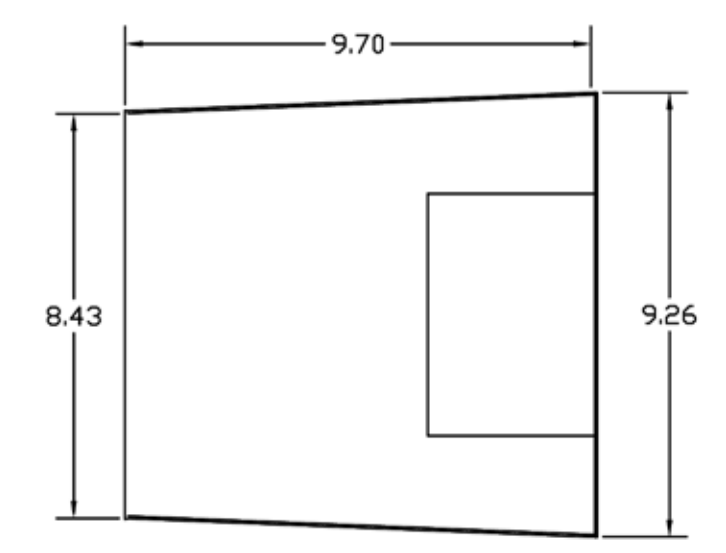
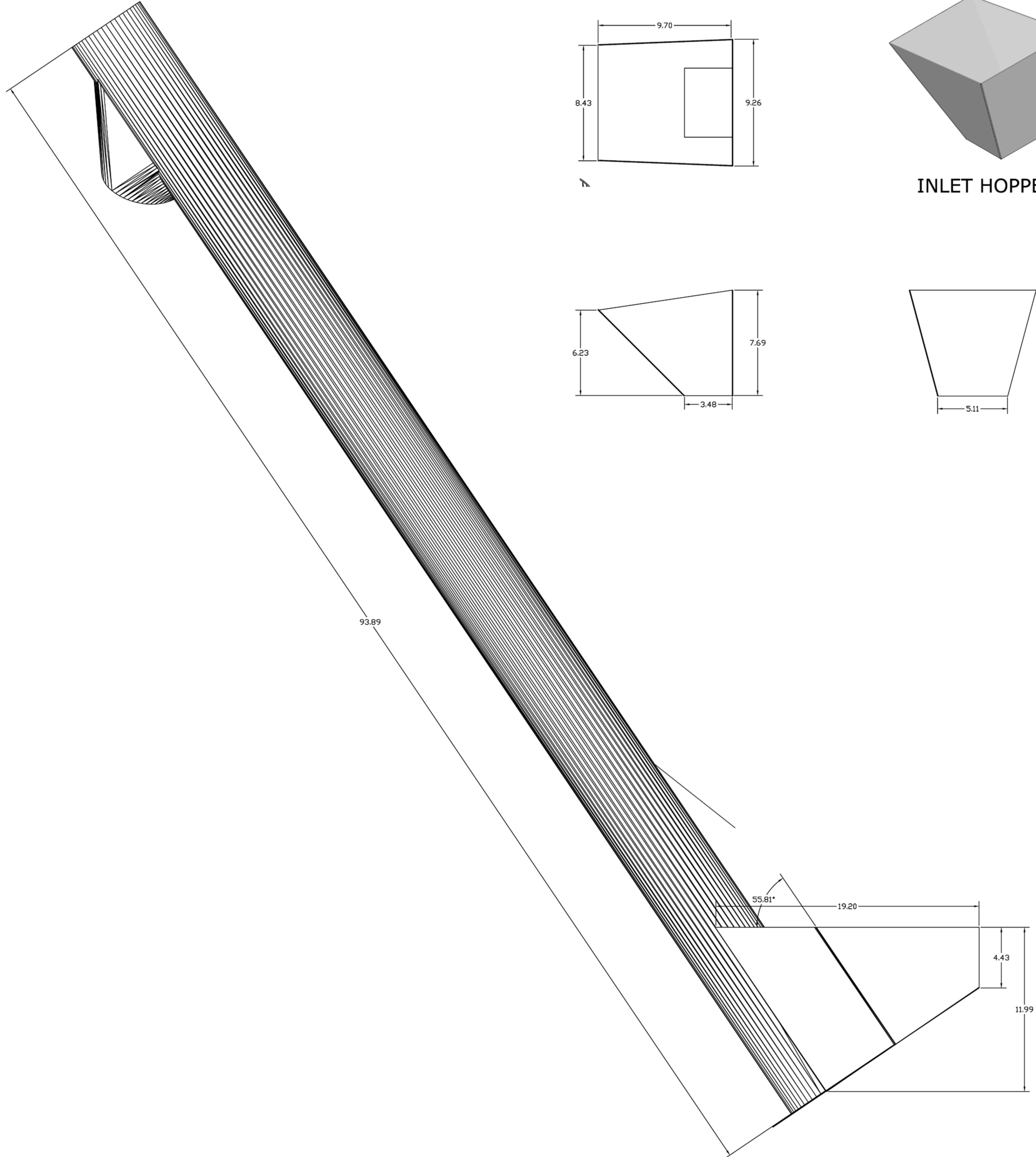
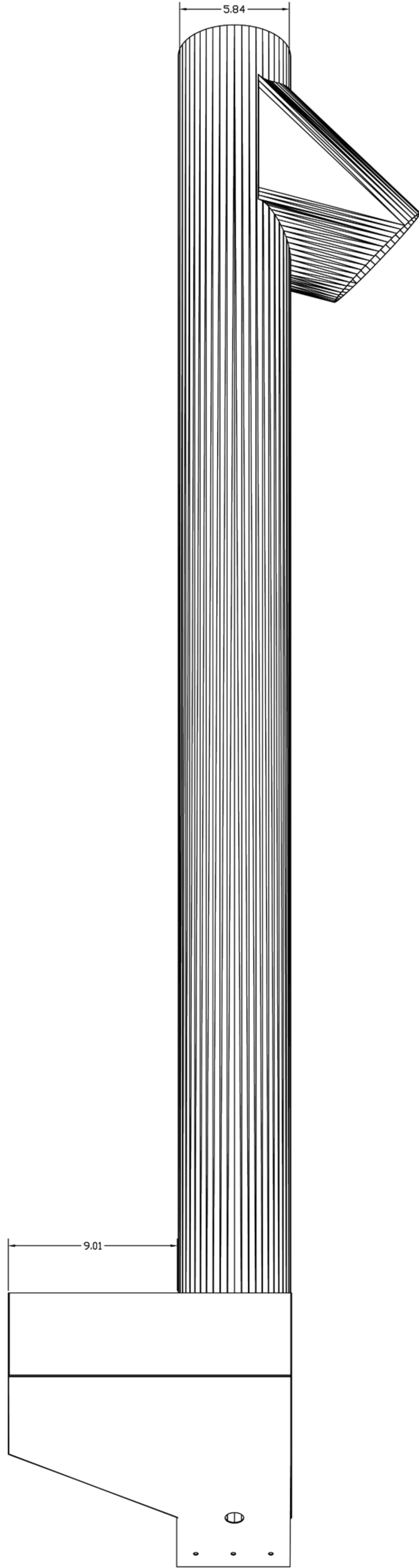


AIR INTAKE PLENUM

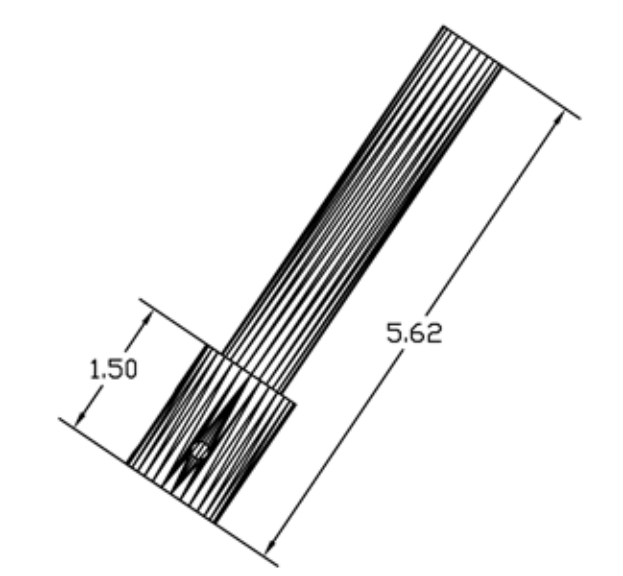
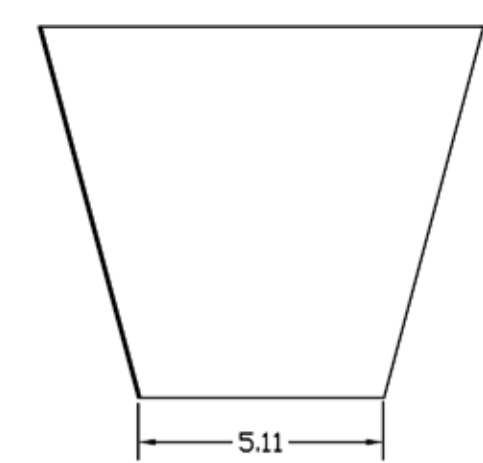
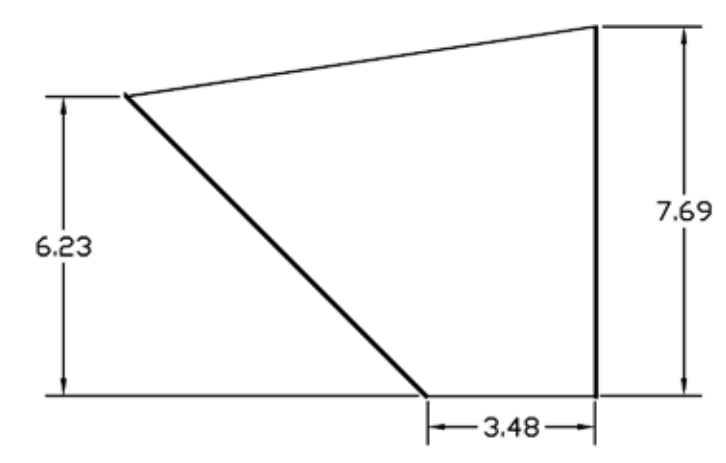




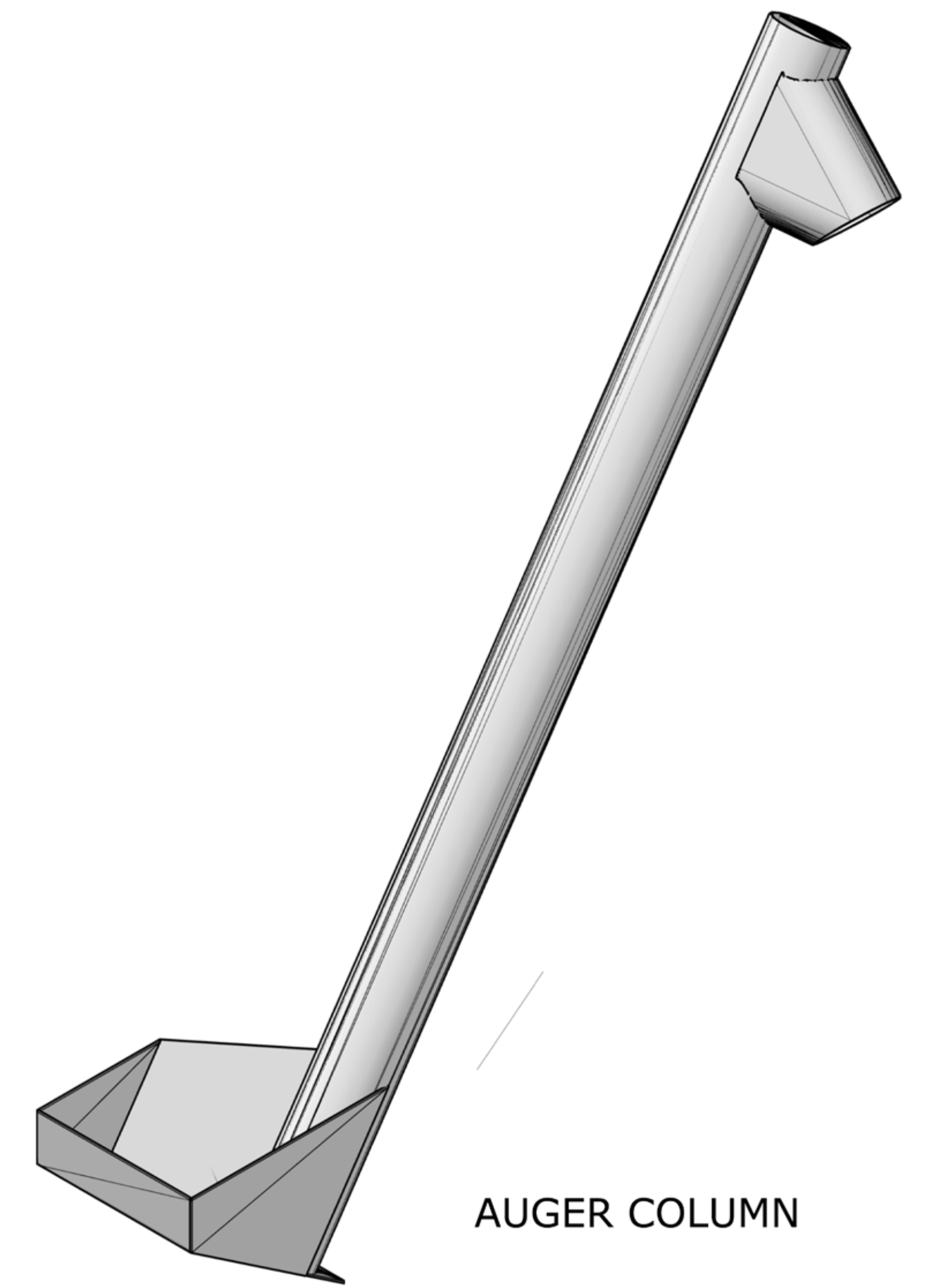
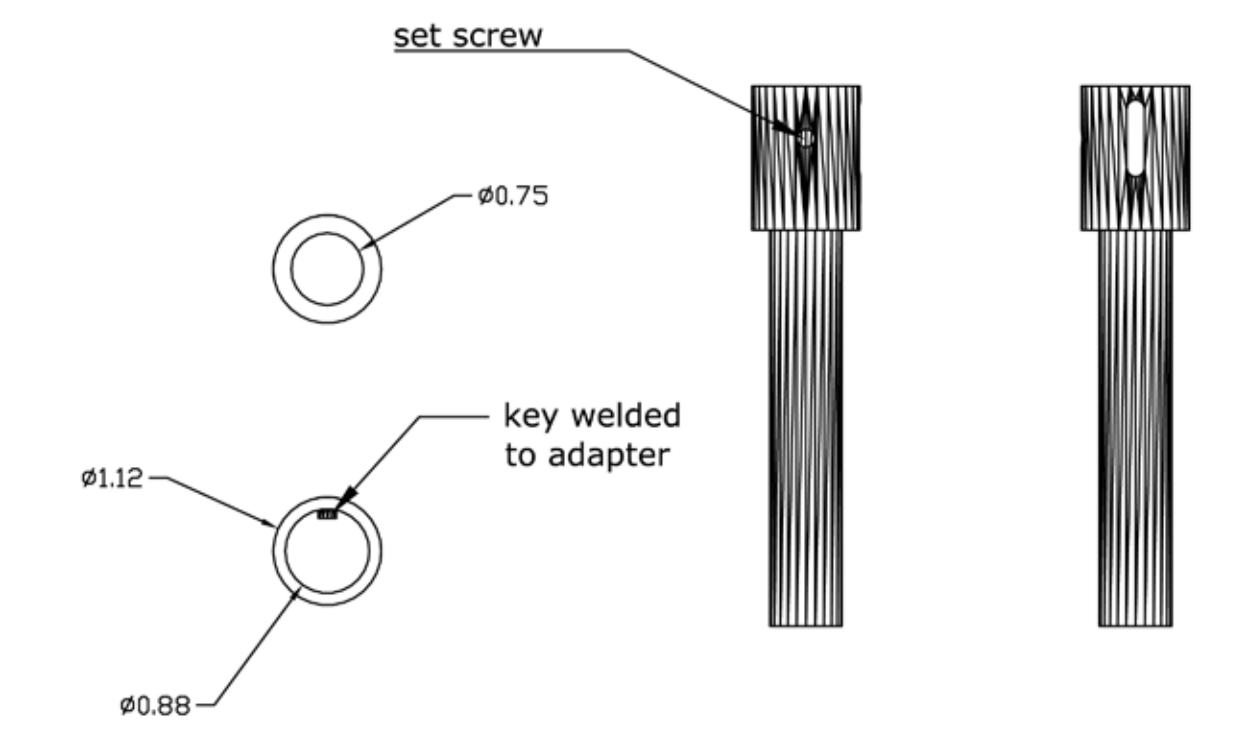
# X2000 HAZELNUT HUSKER



INLET HOPPER



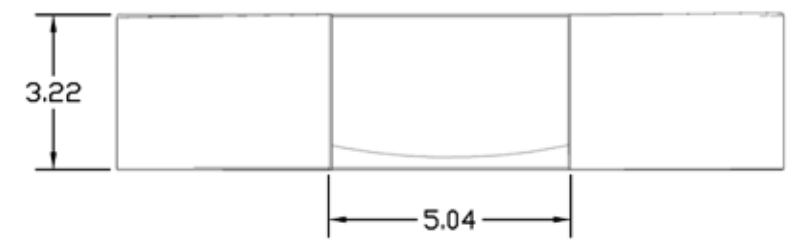
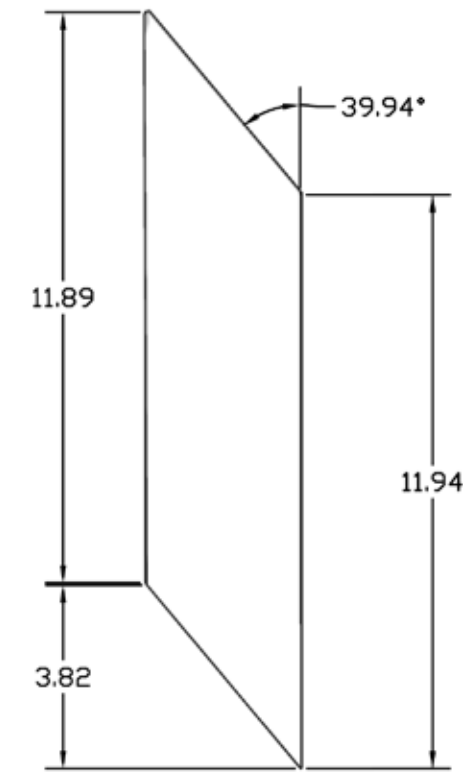
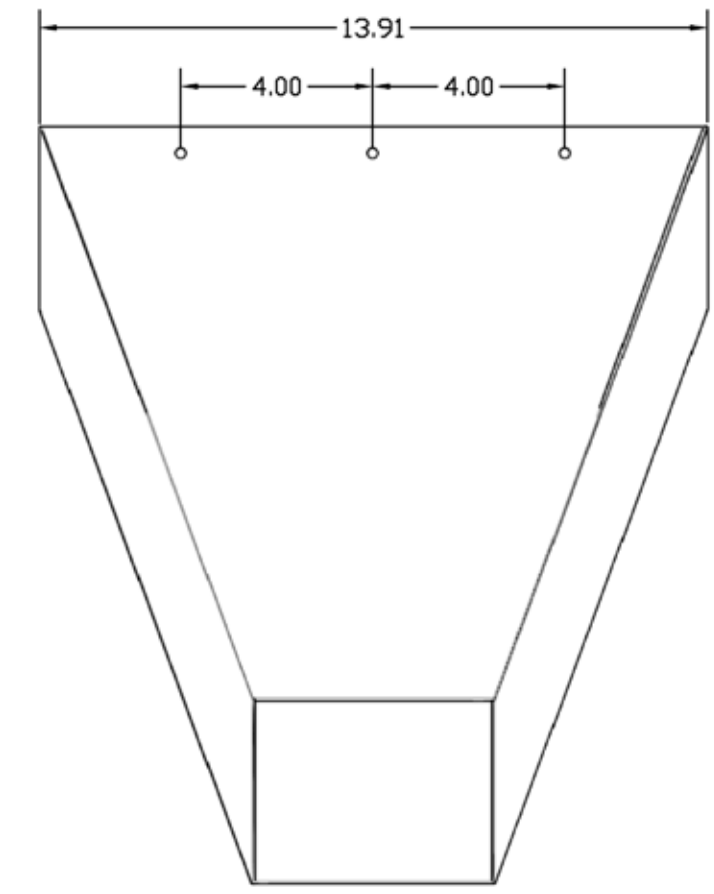
AUGER GEARBOX  
SHAFT ADAPTER



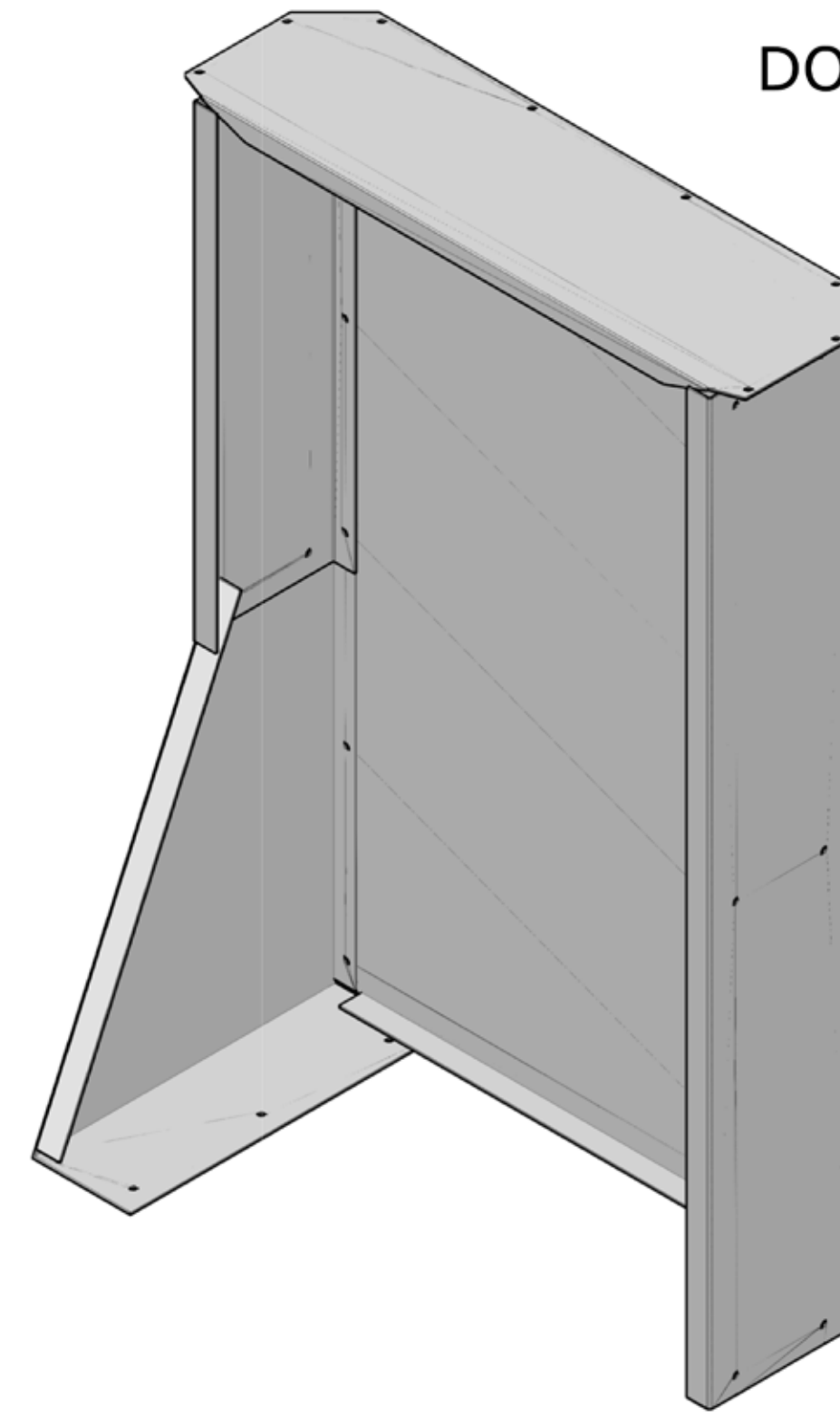
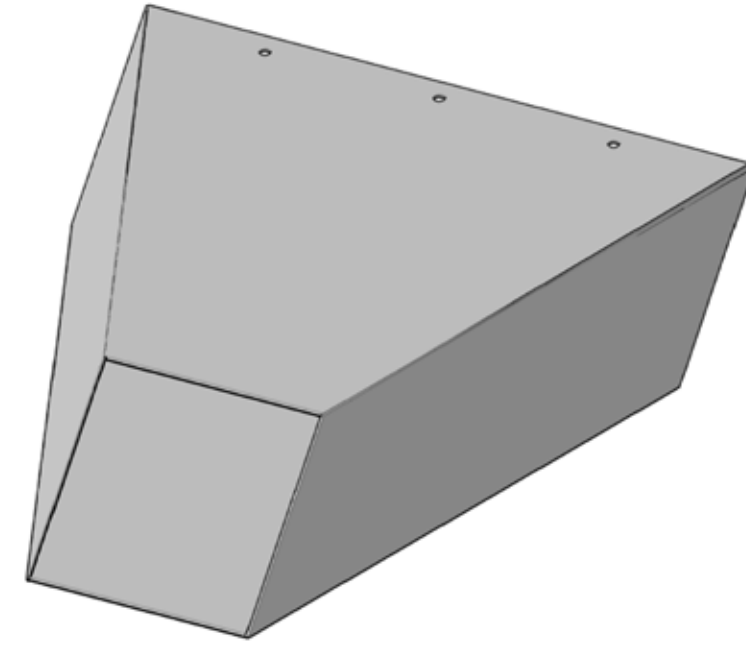
AUGER COLUMN



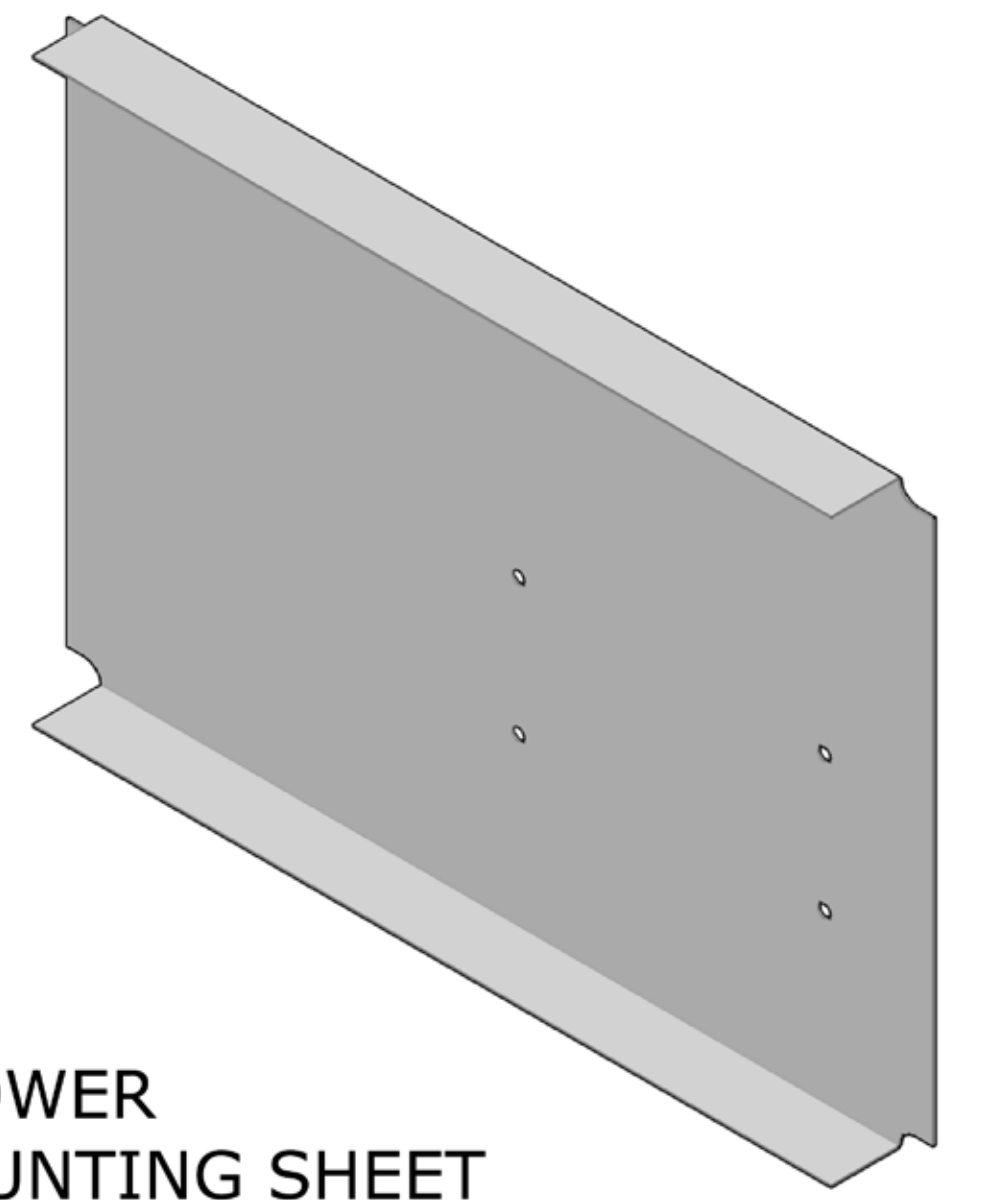
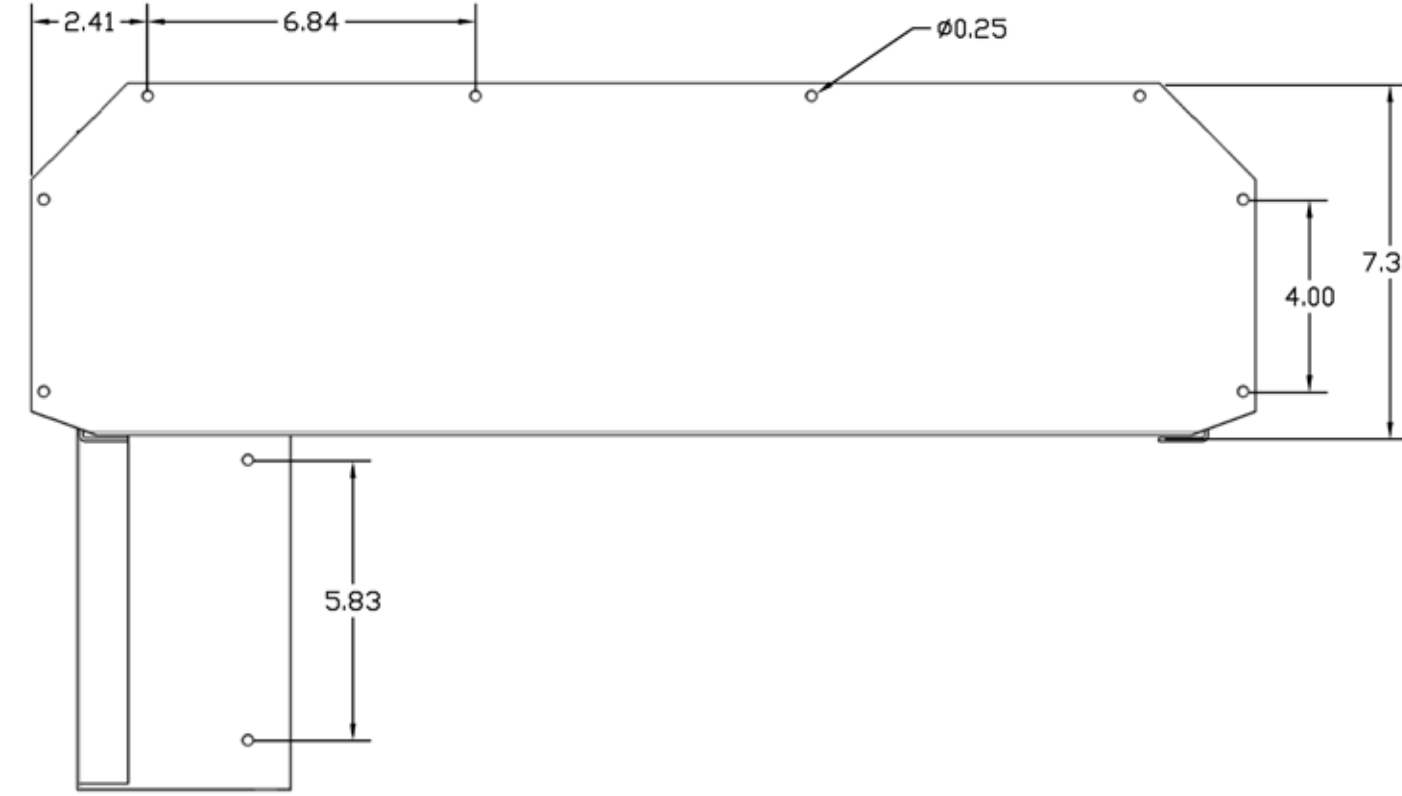
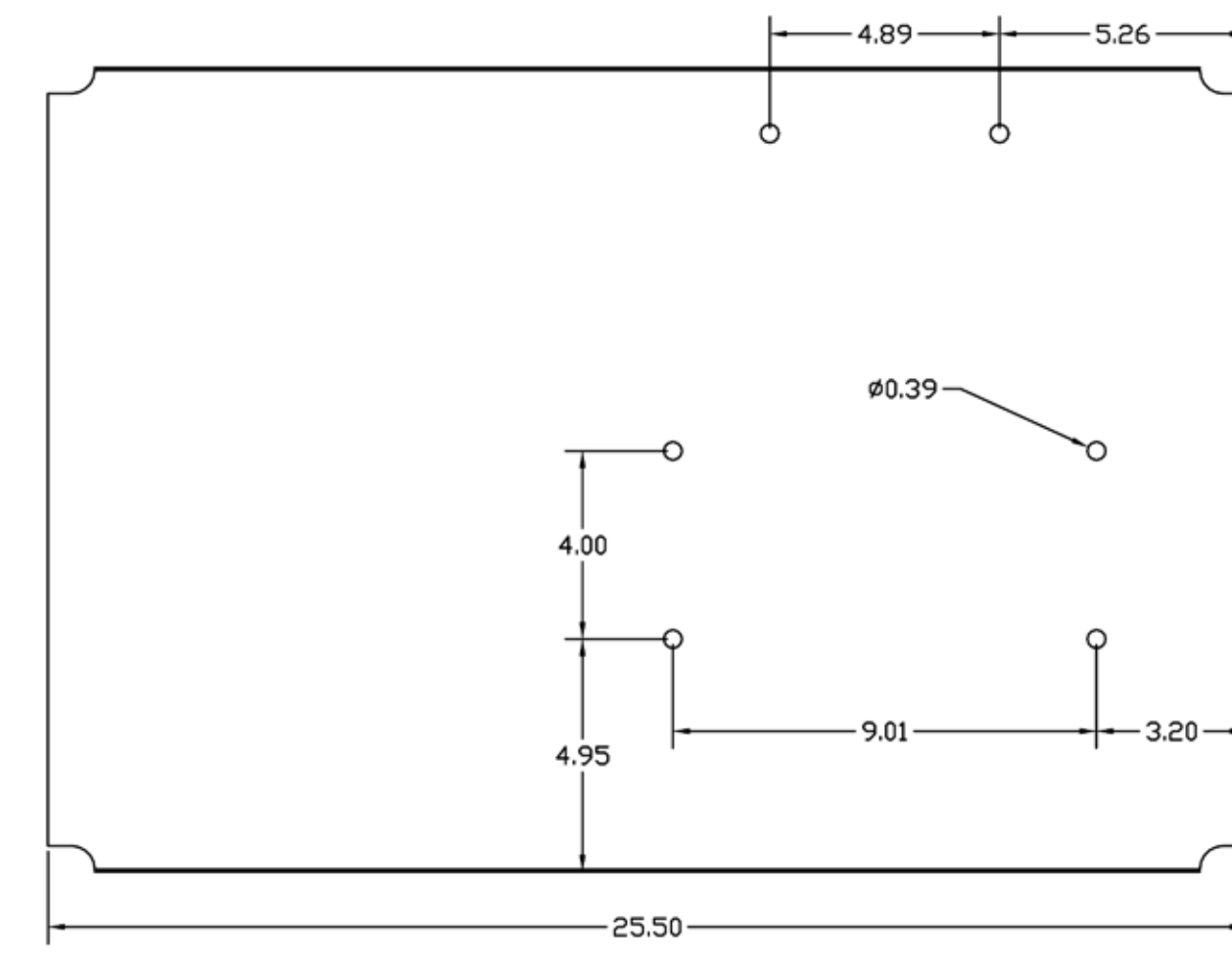
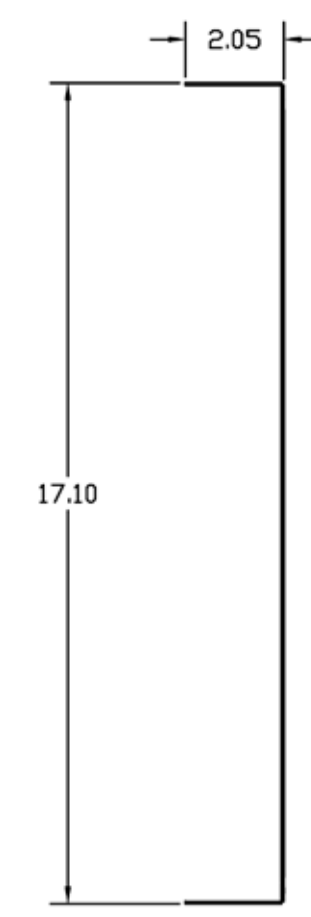
# X2000 HAZELNUT HUSKER



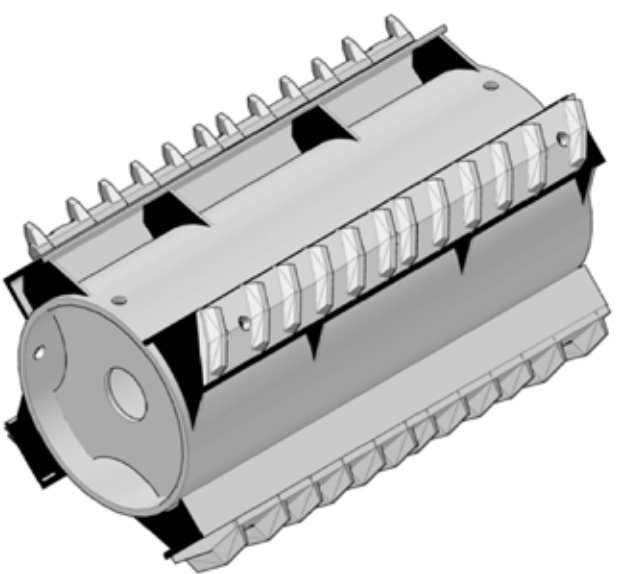
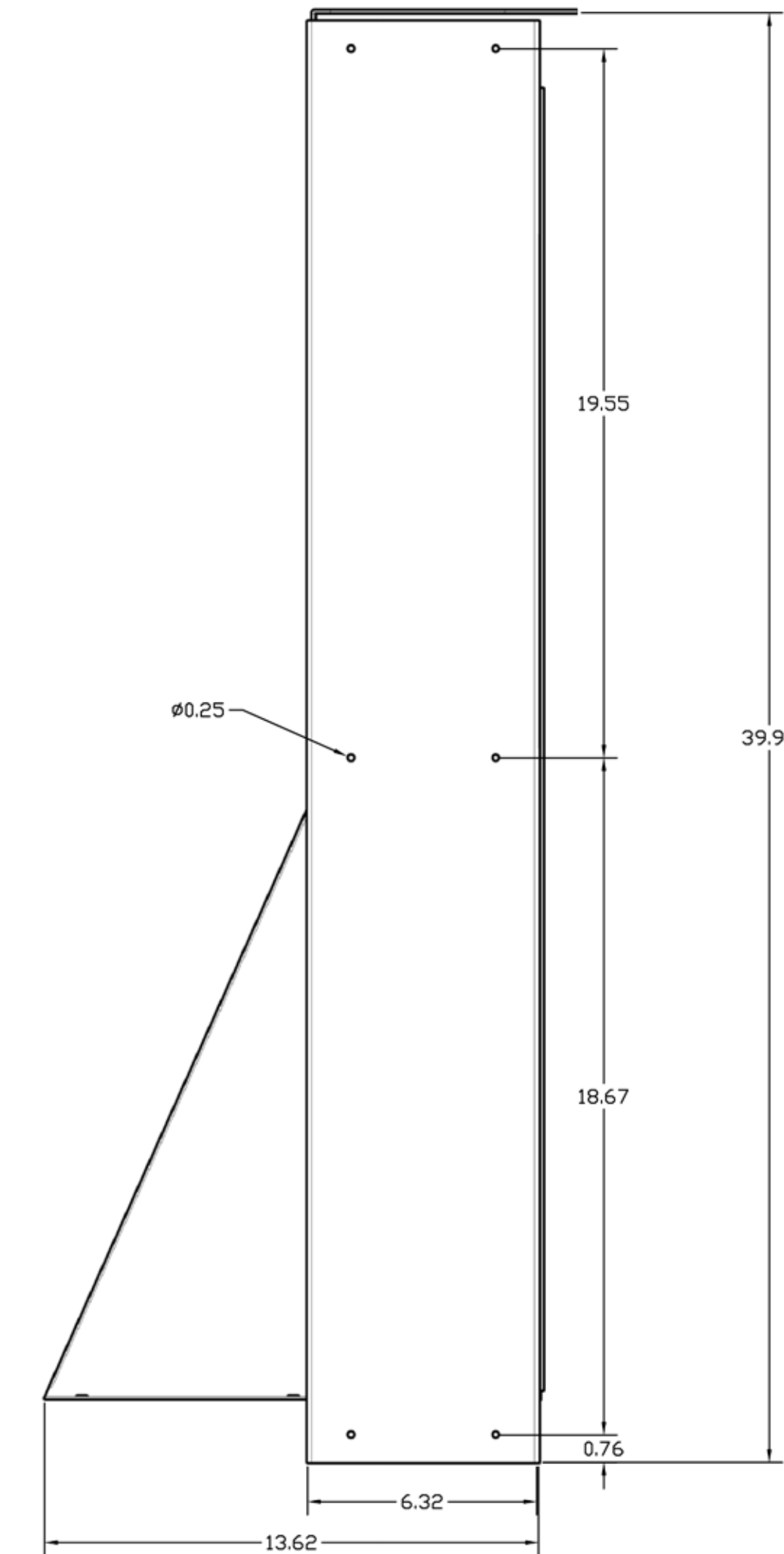
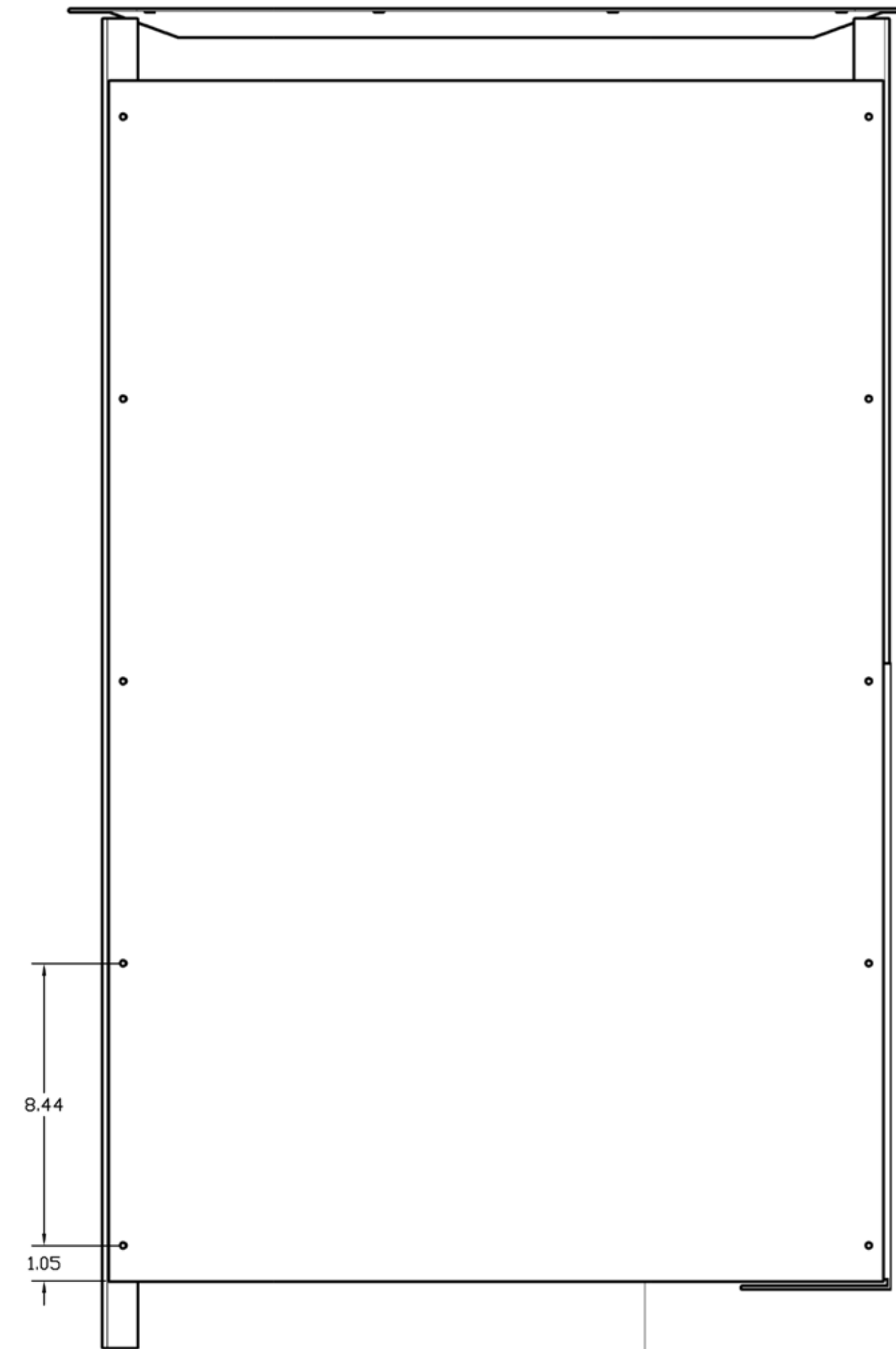
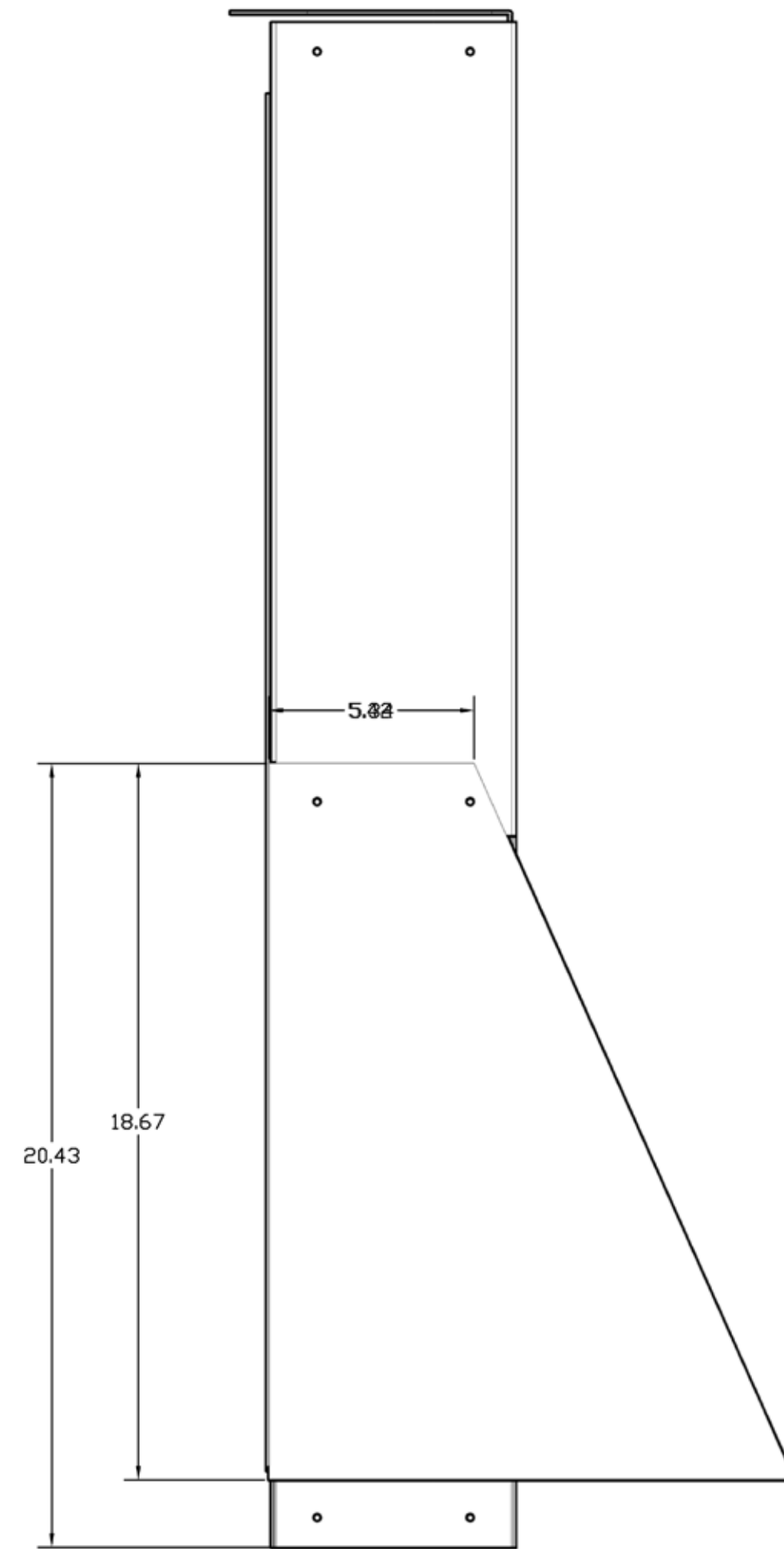
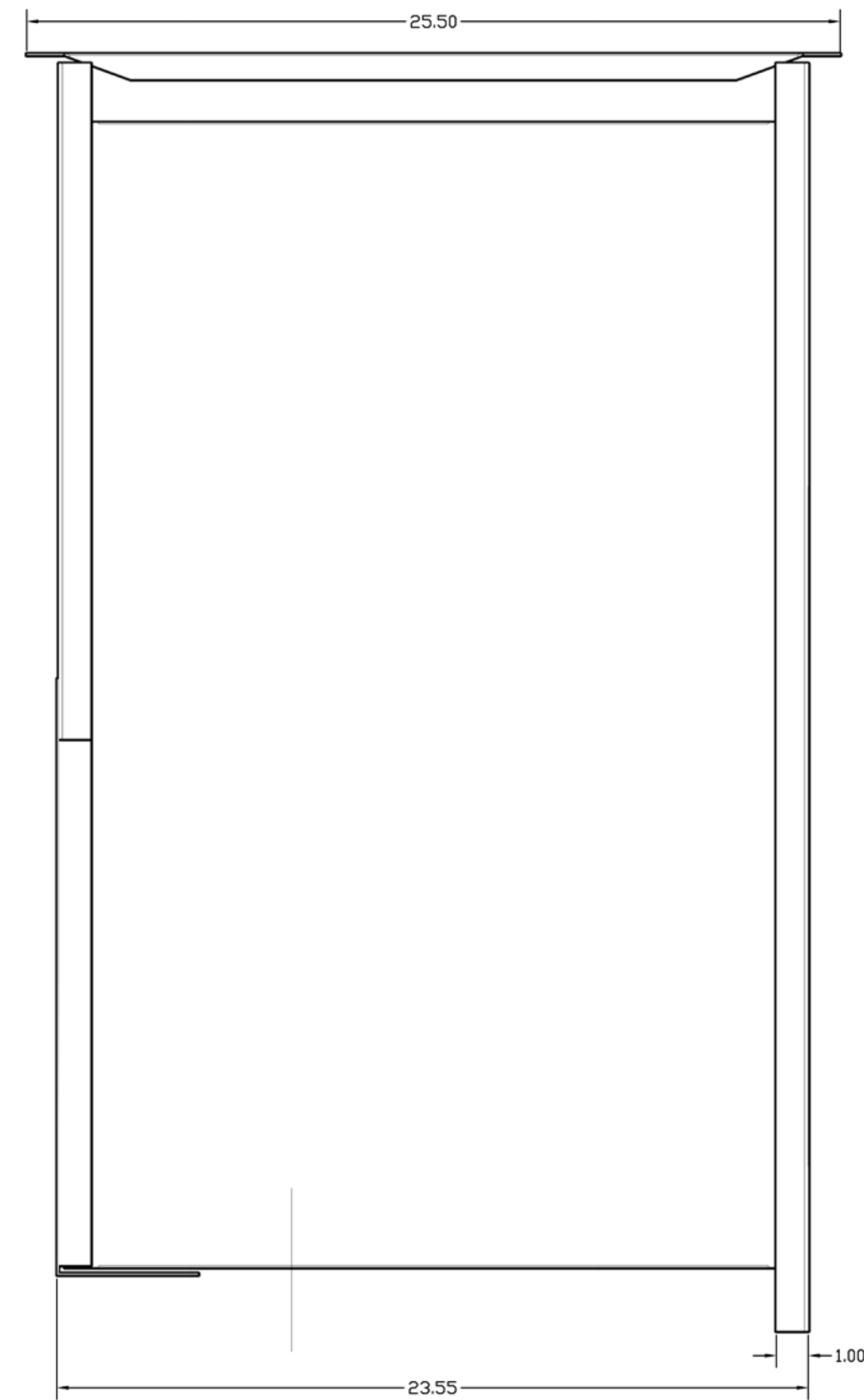
CYLINDER  
DISCHARGE HOPPER



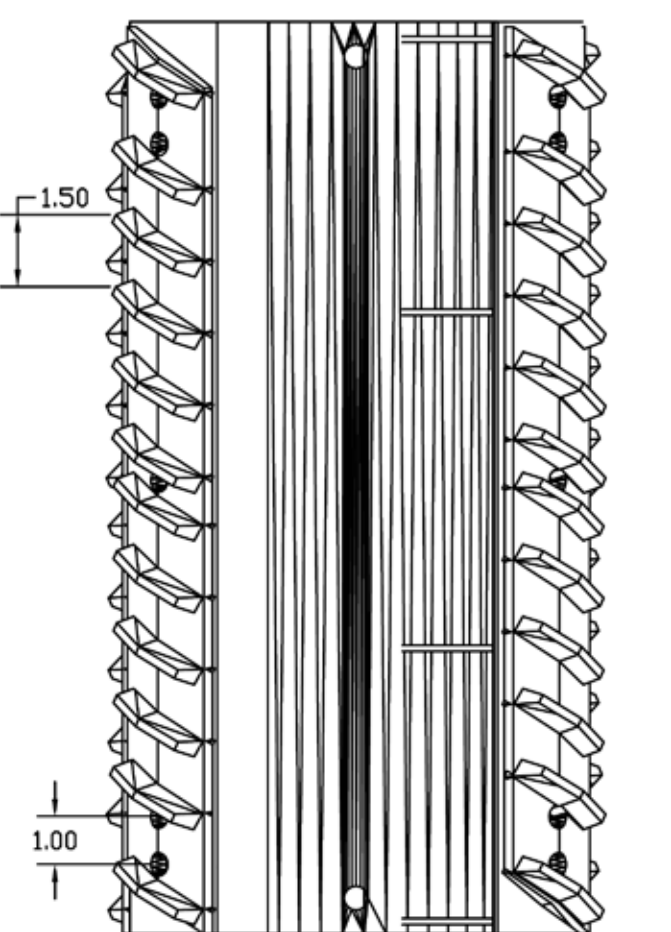
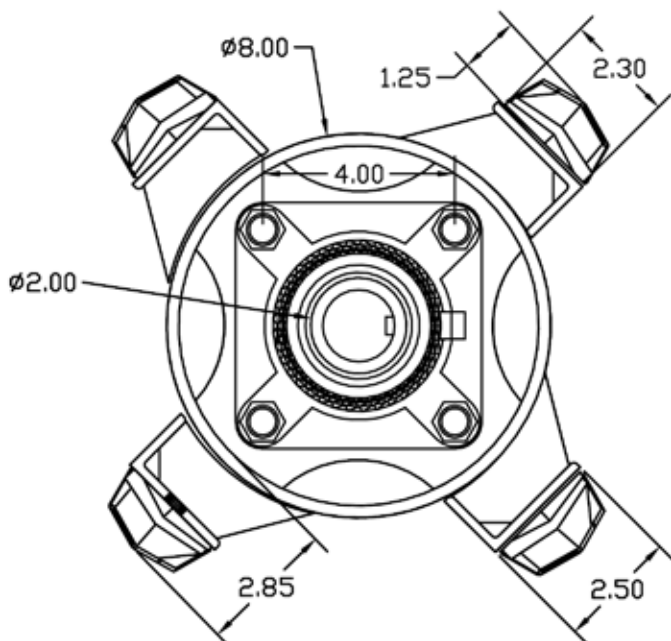
DOORS & PANELS



BLOWER  
MOUNTING SHEET

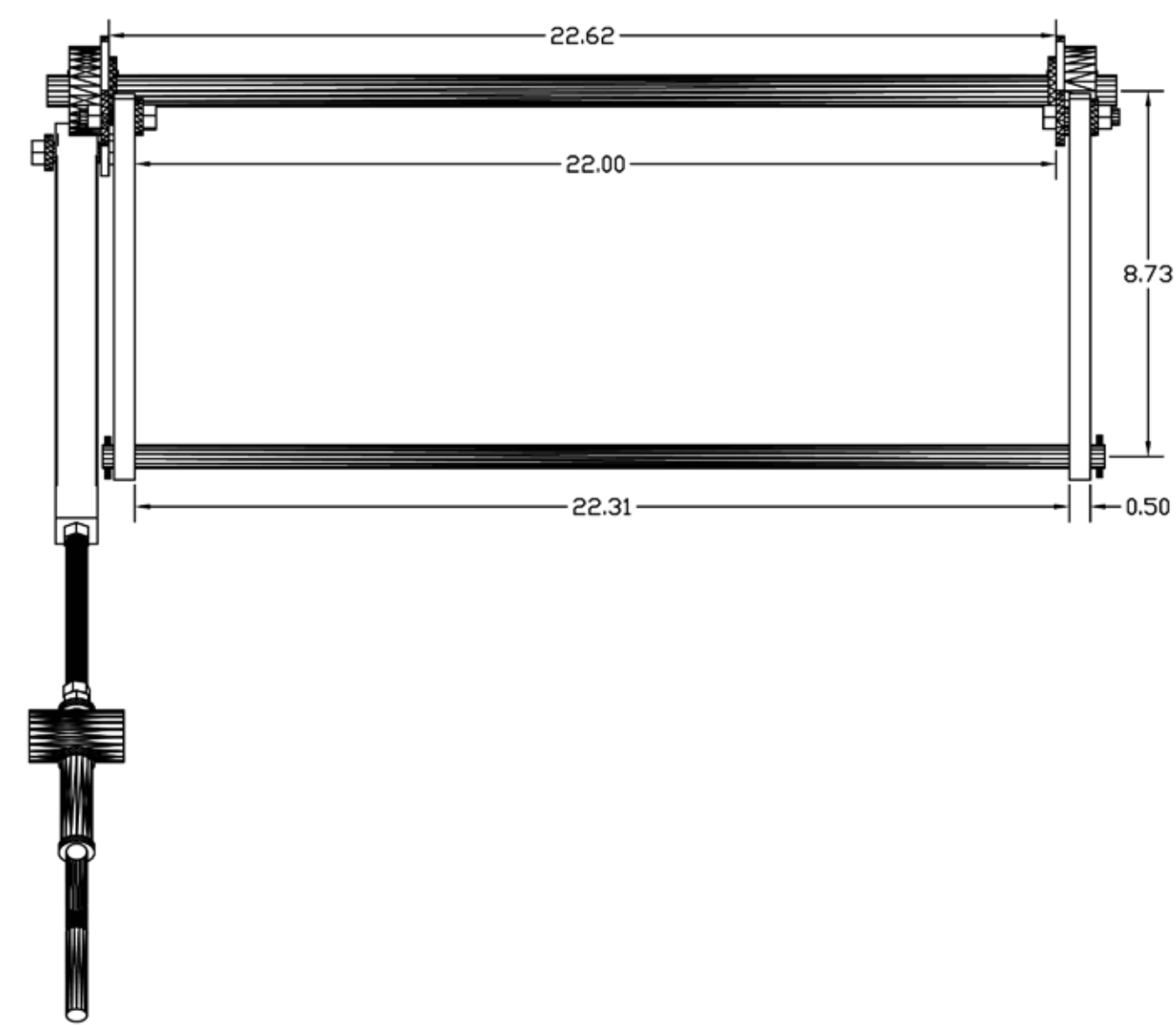
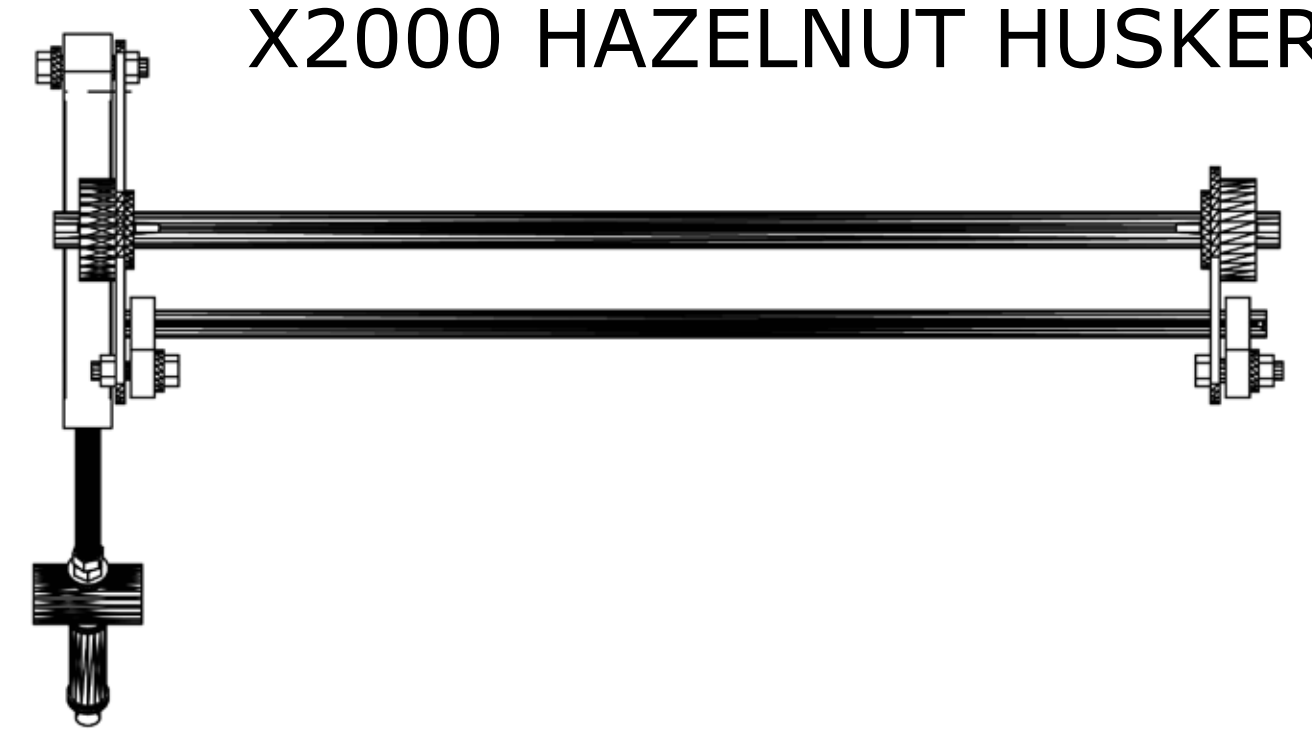


CYLINDER

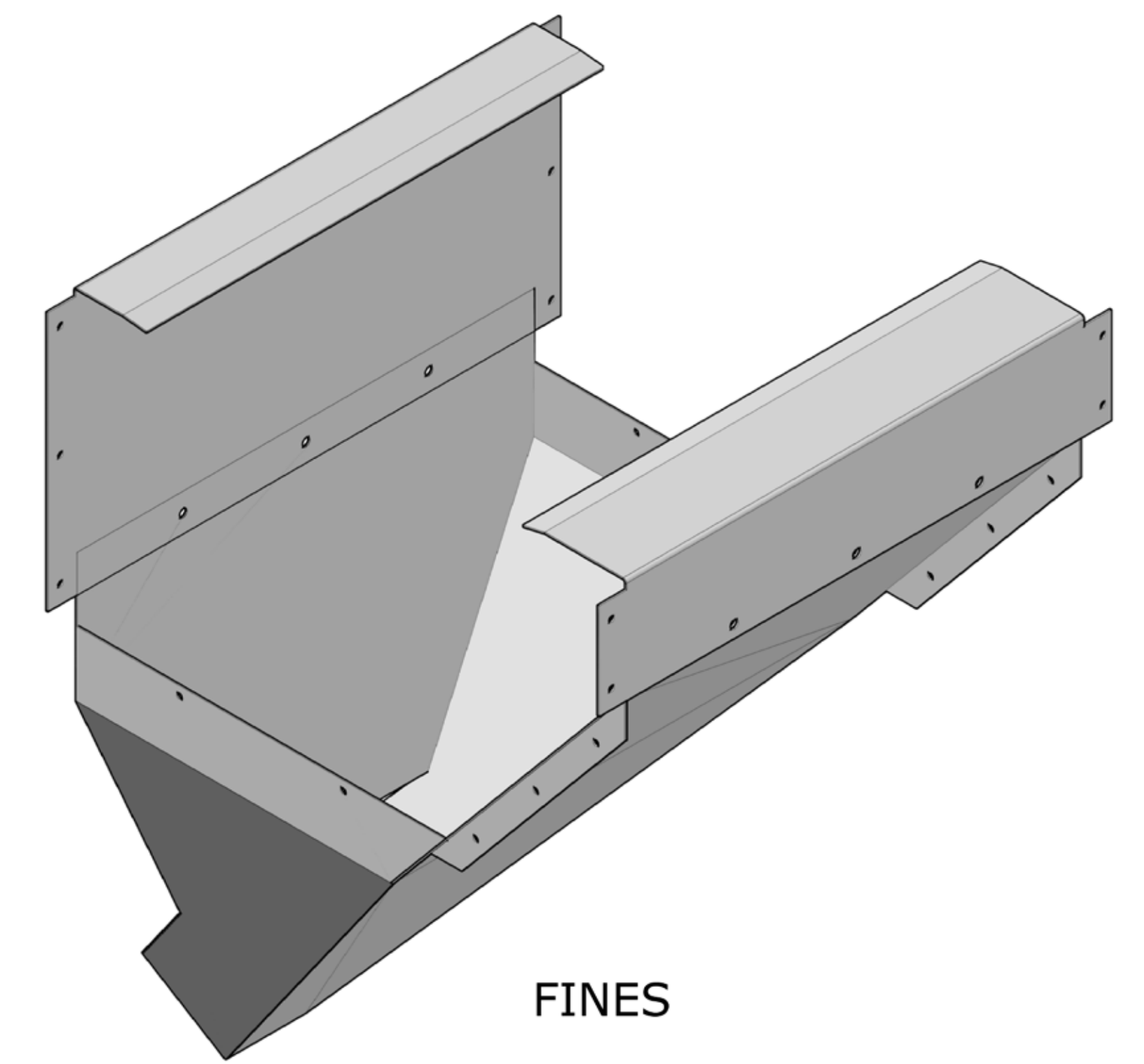
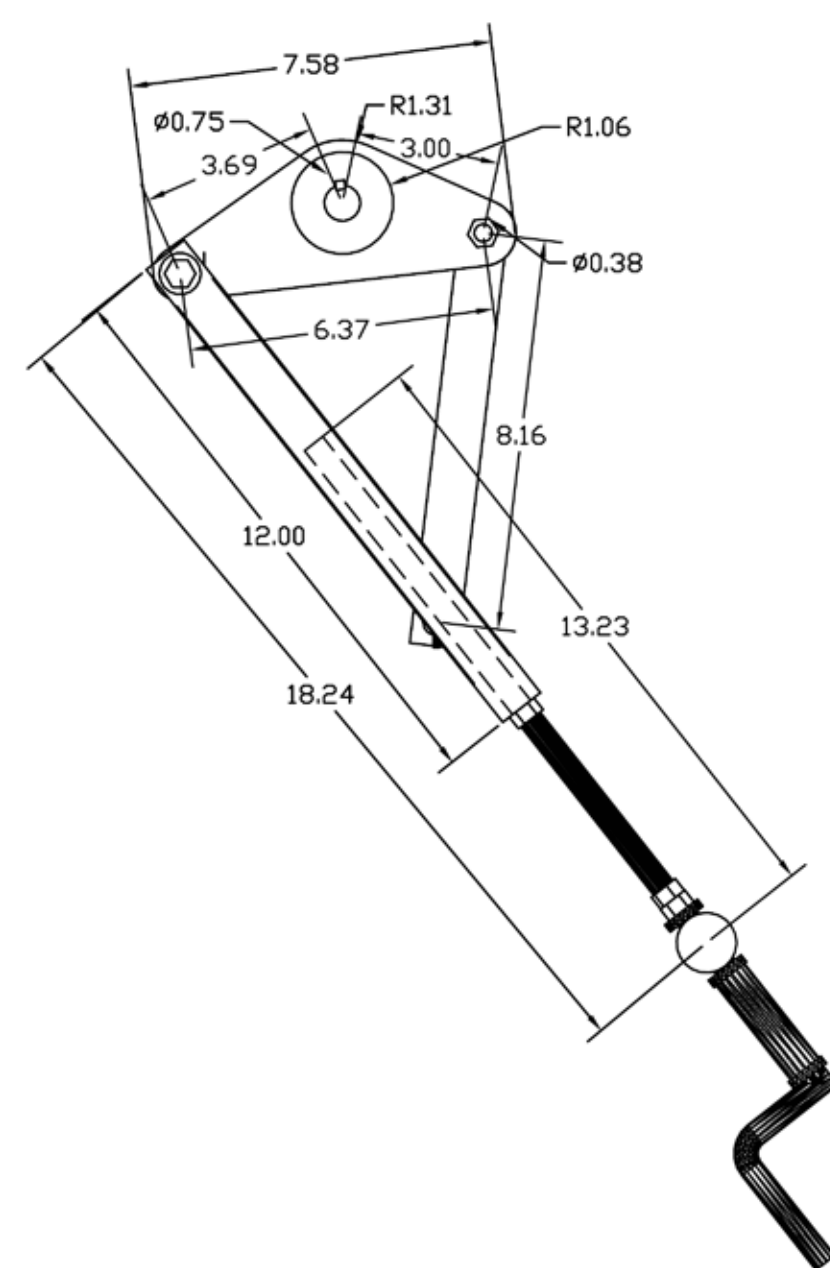
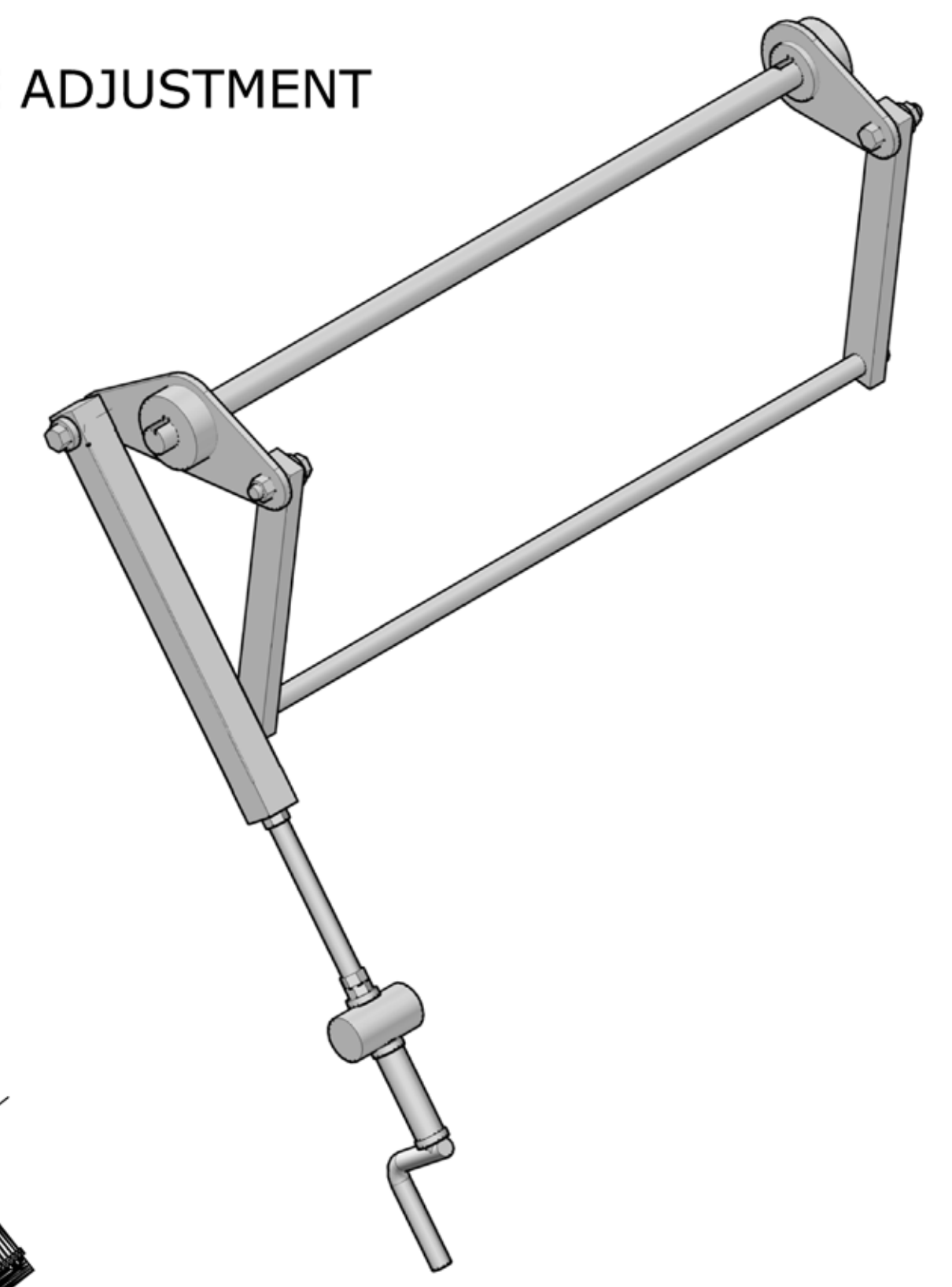




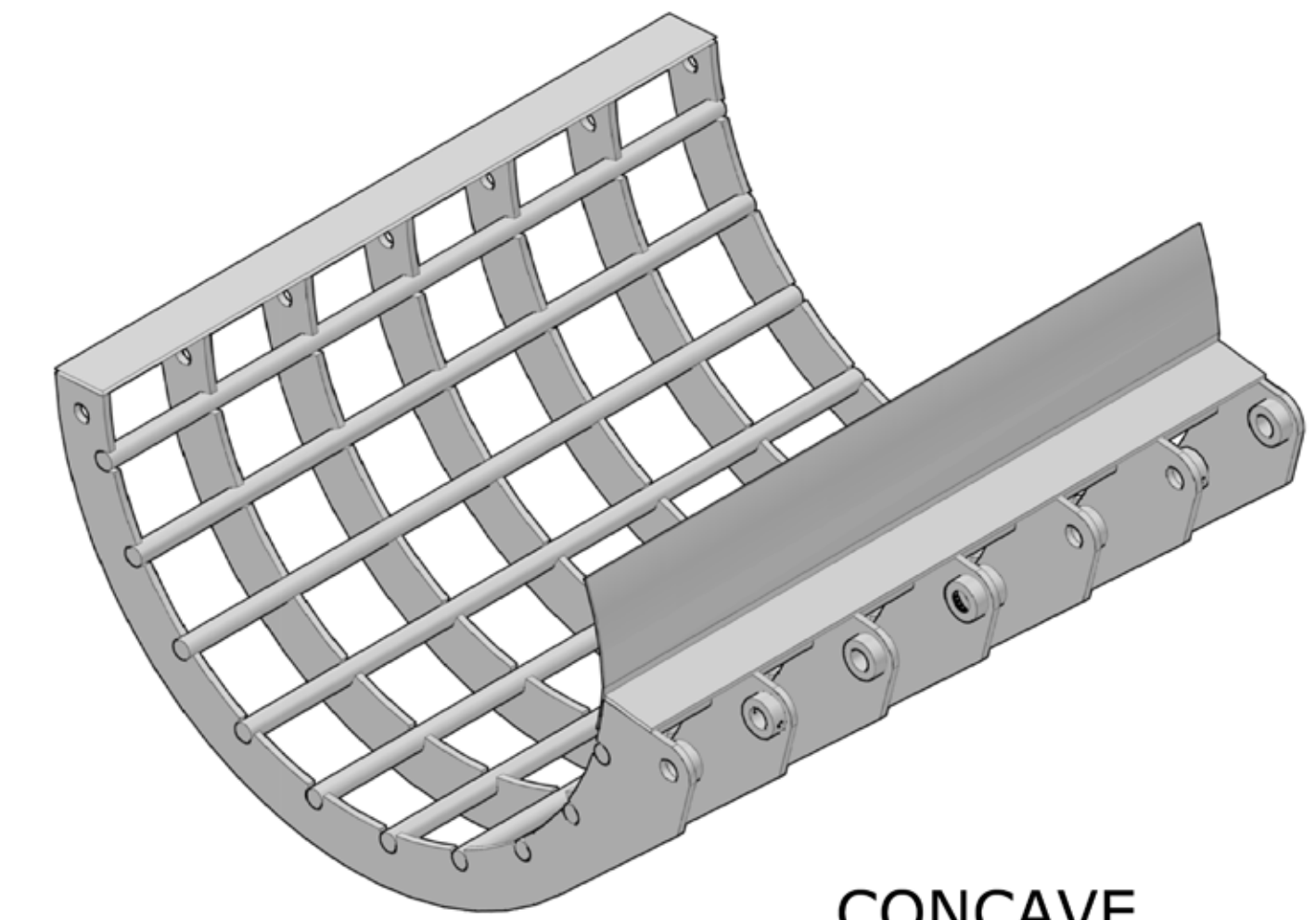
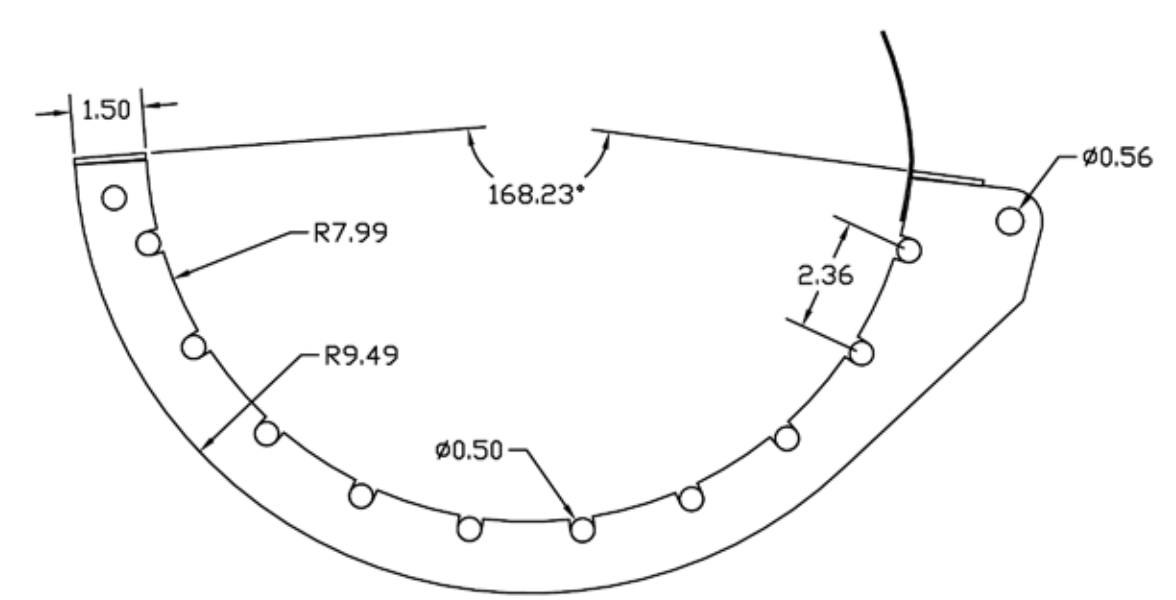
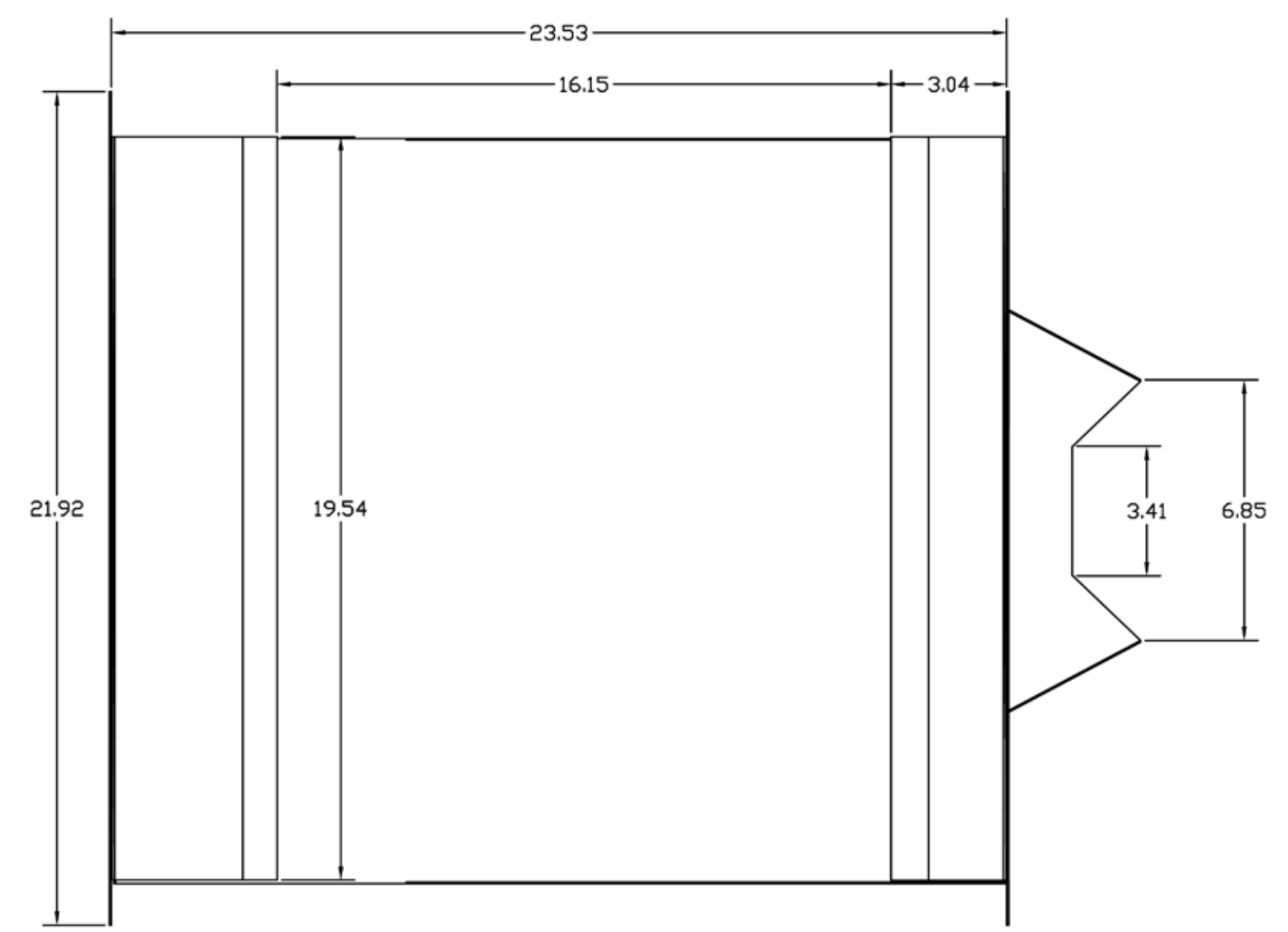
# X2000 HAZELNUT HUSKER



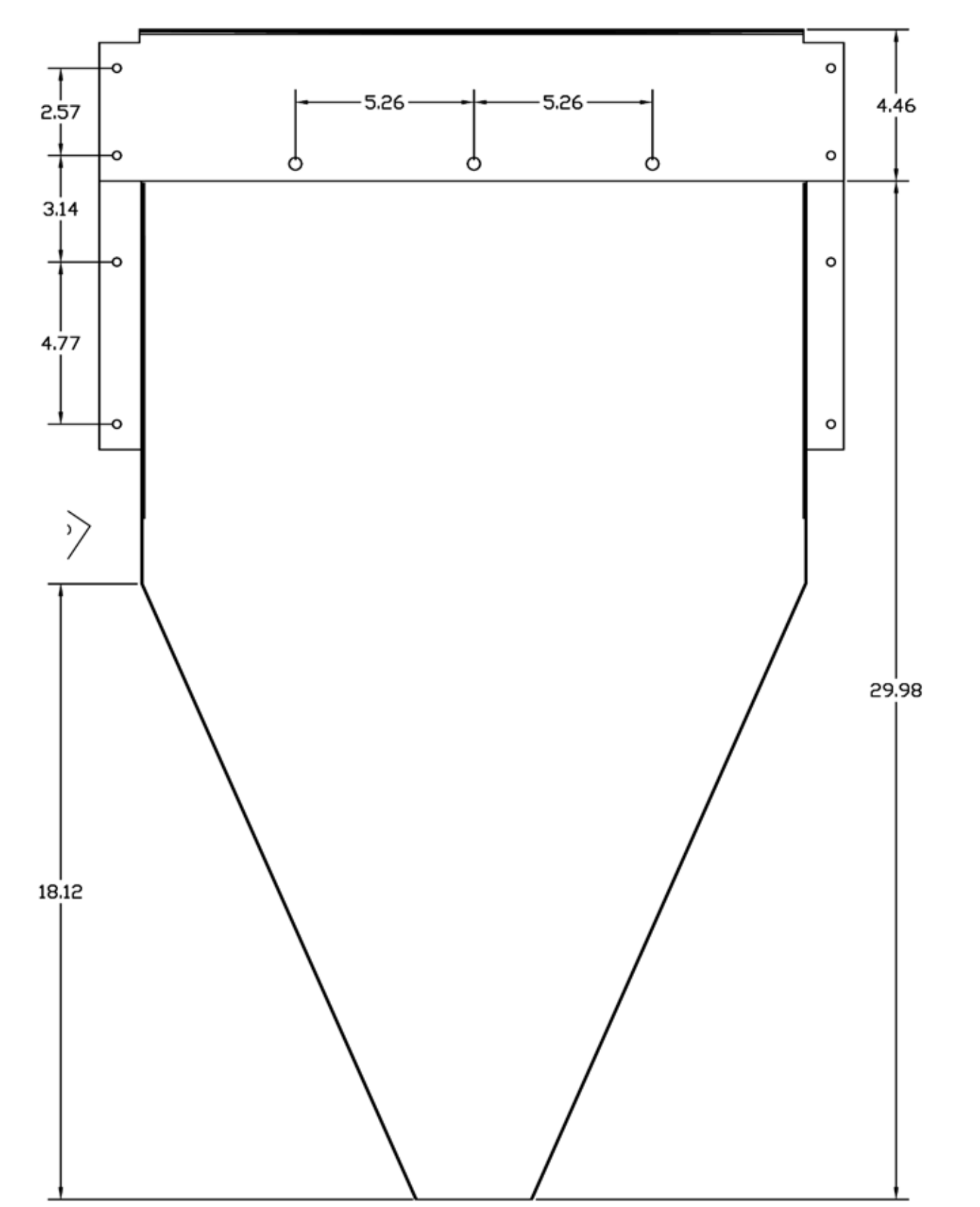
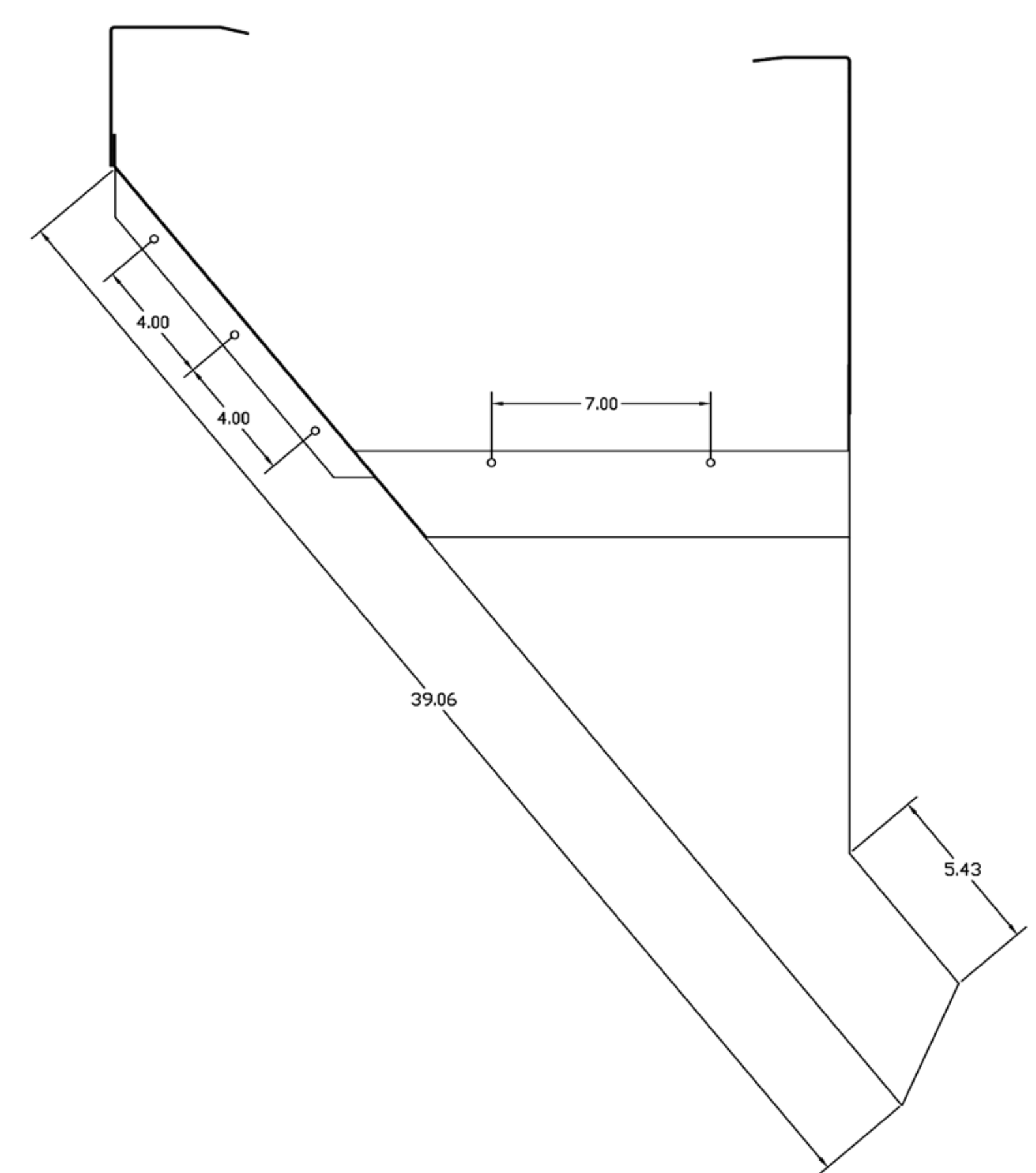
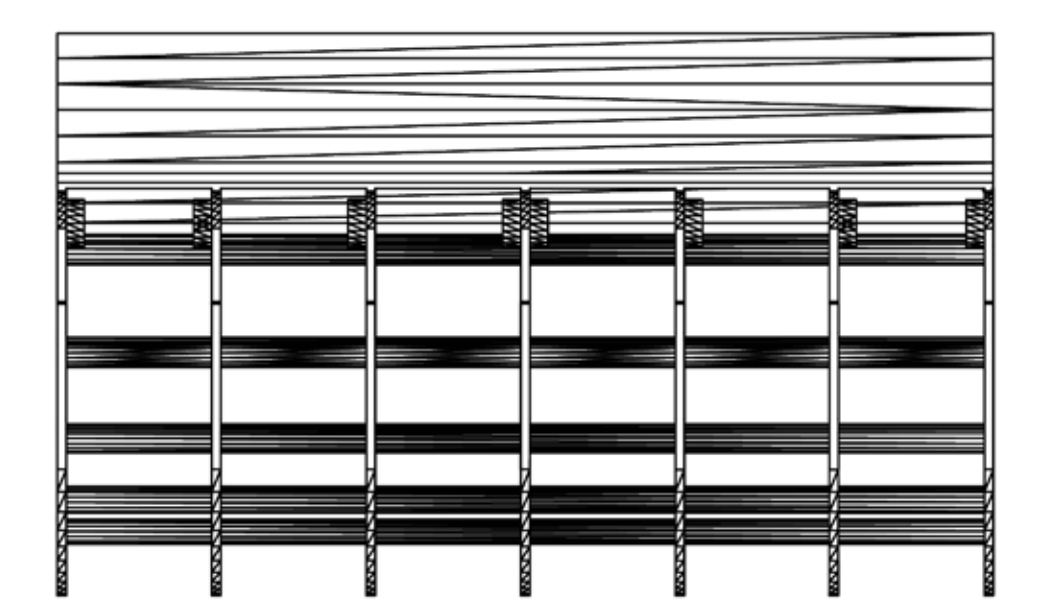
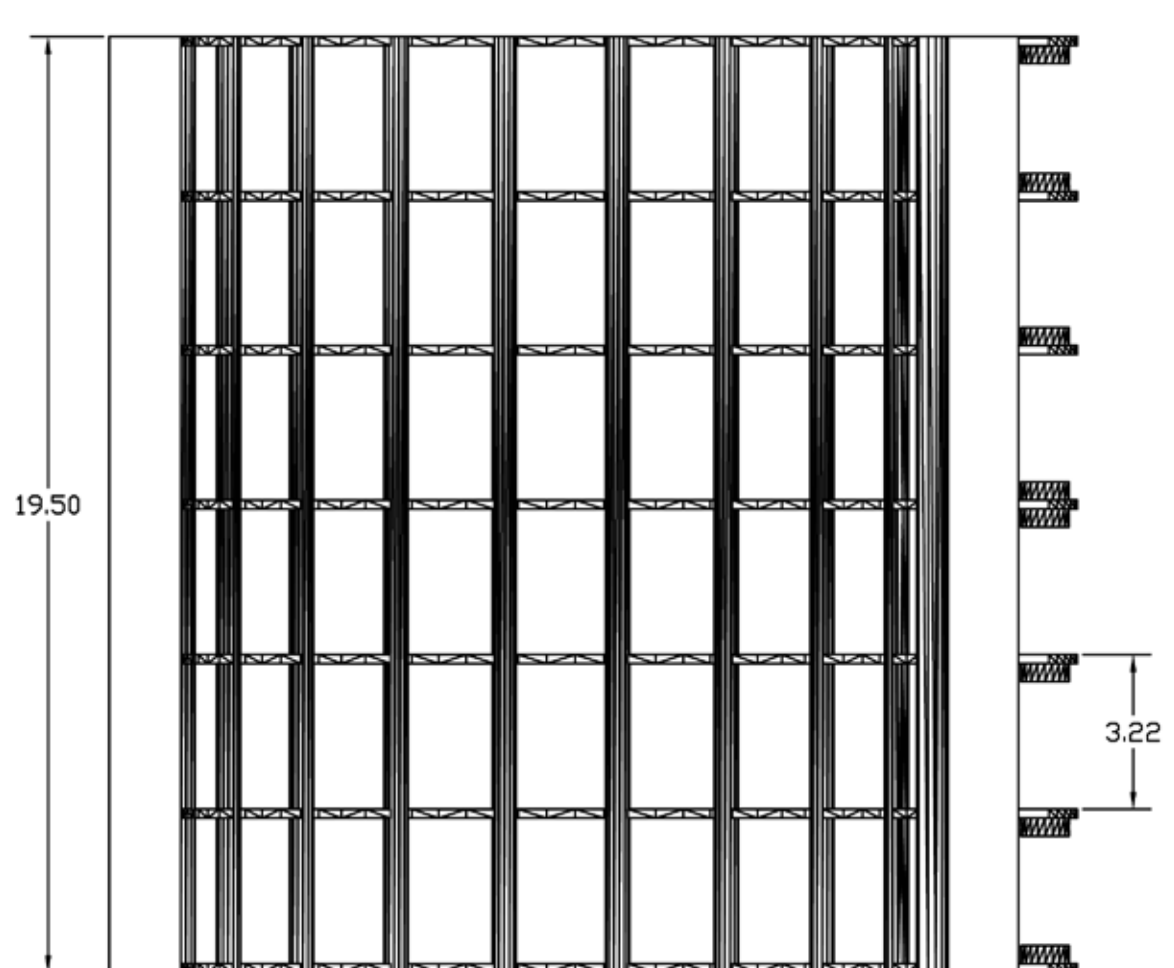
## CONCAVE ADJUSTMENT



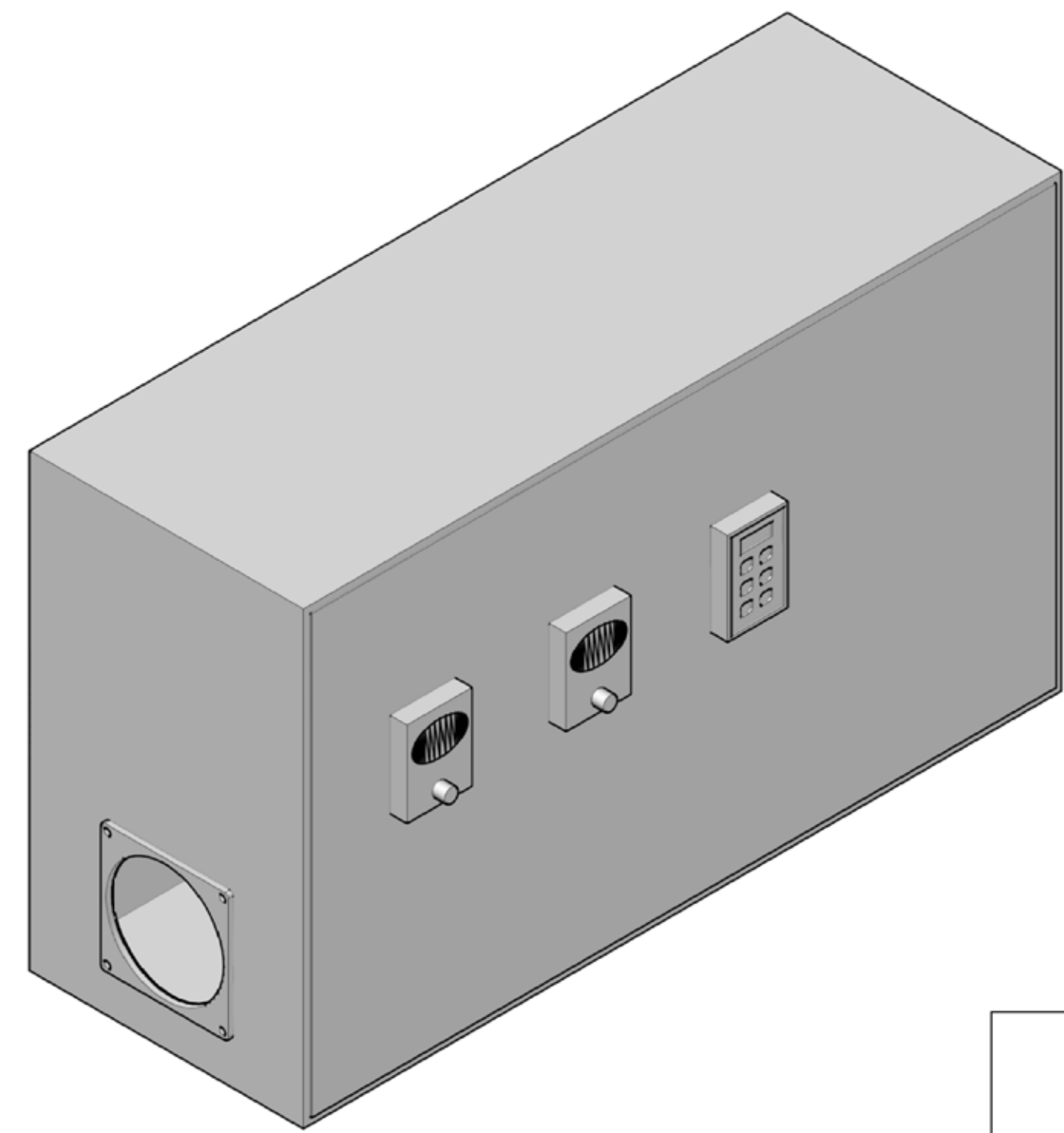
## FINES



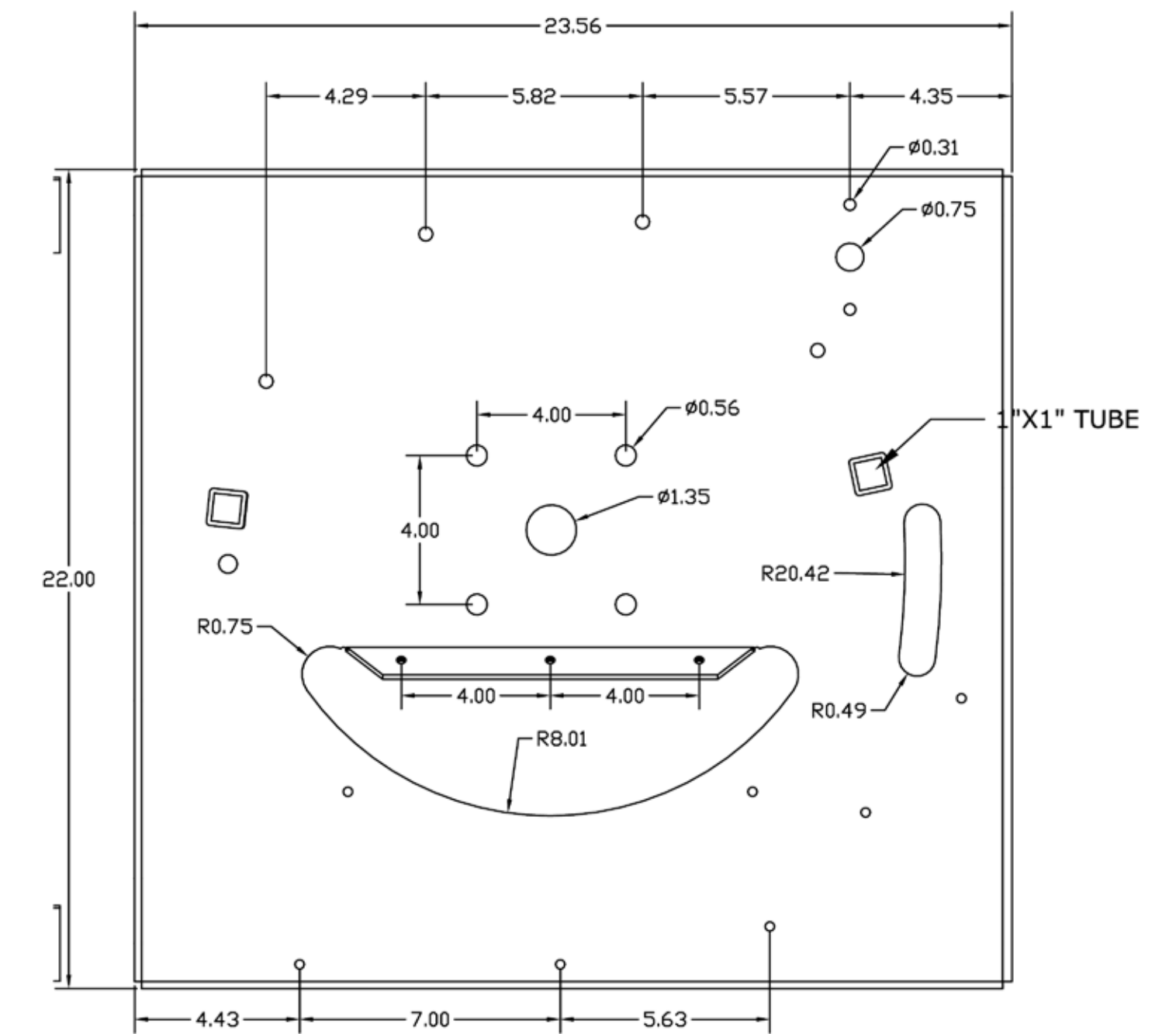
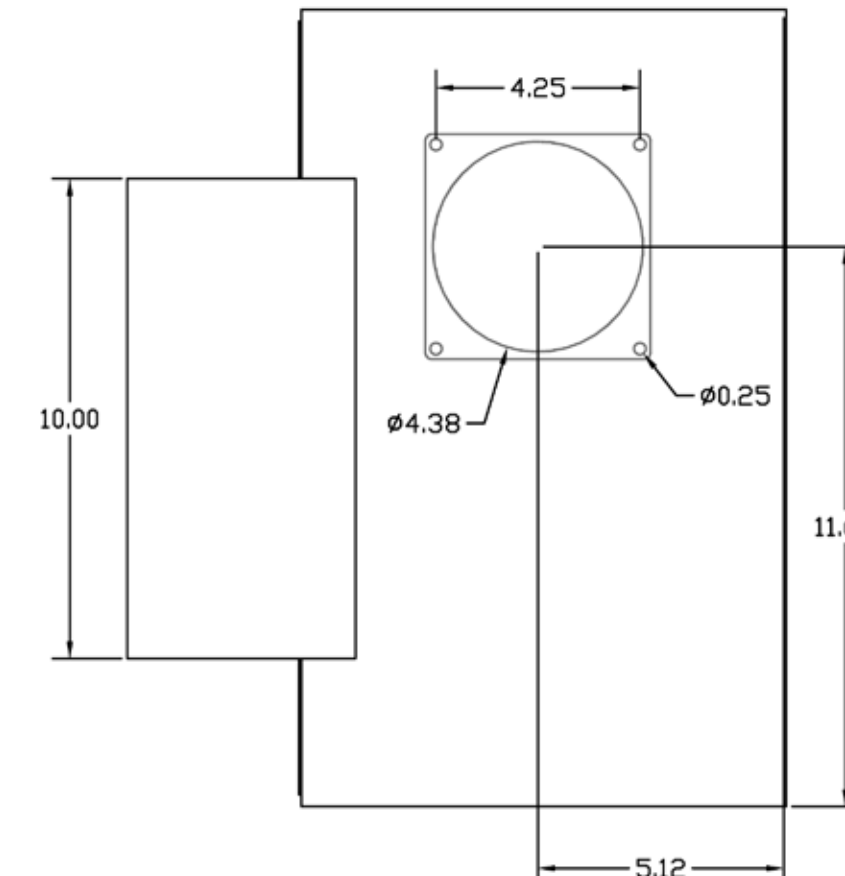
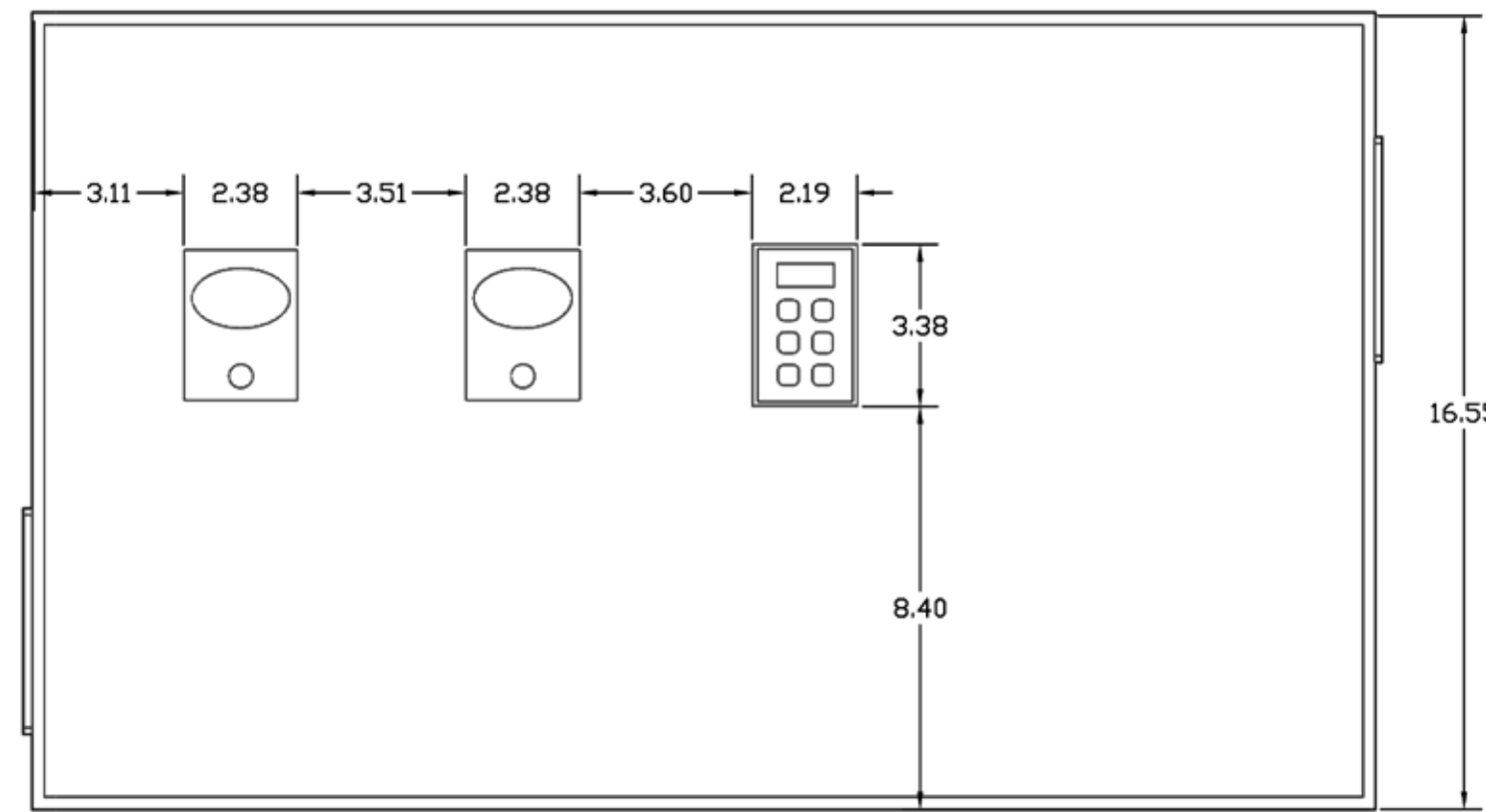
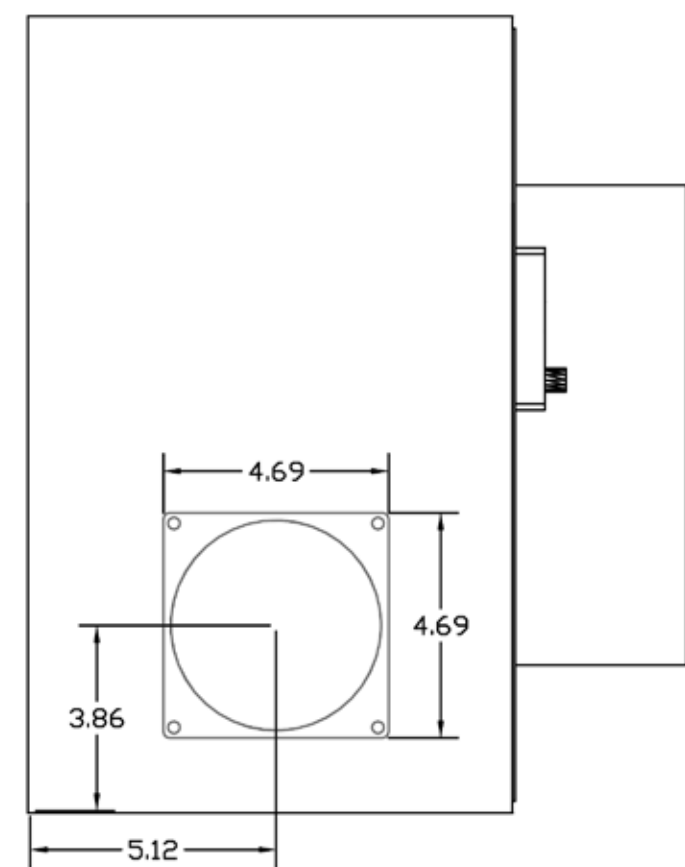
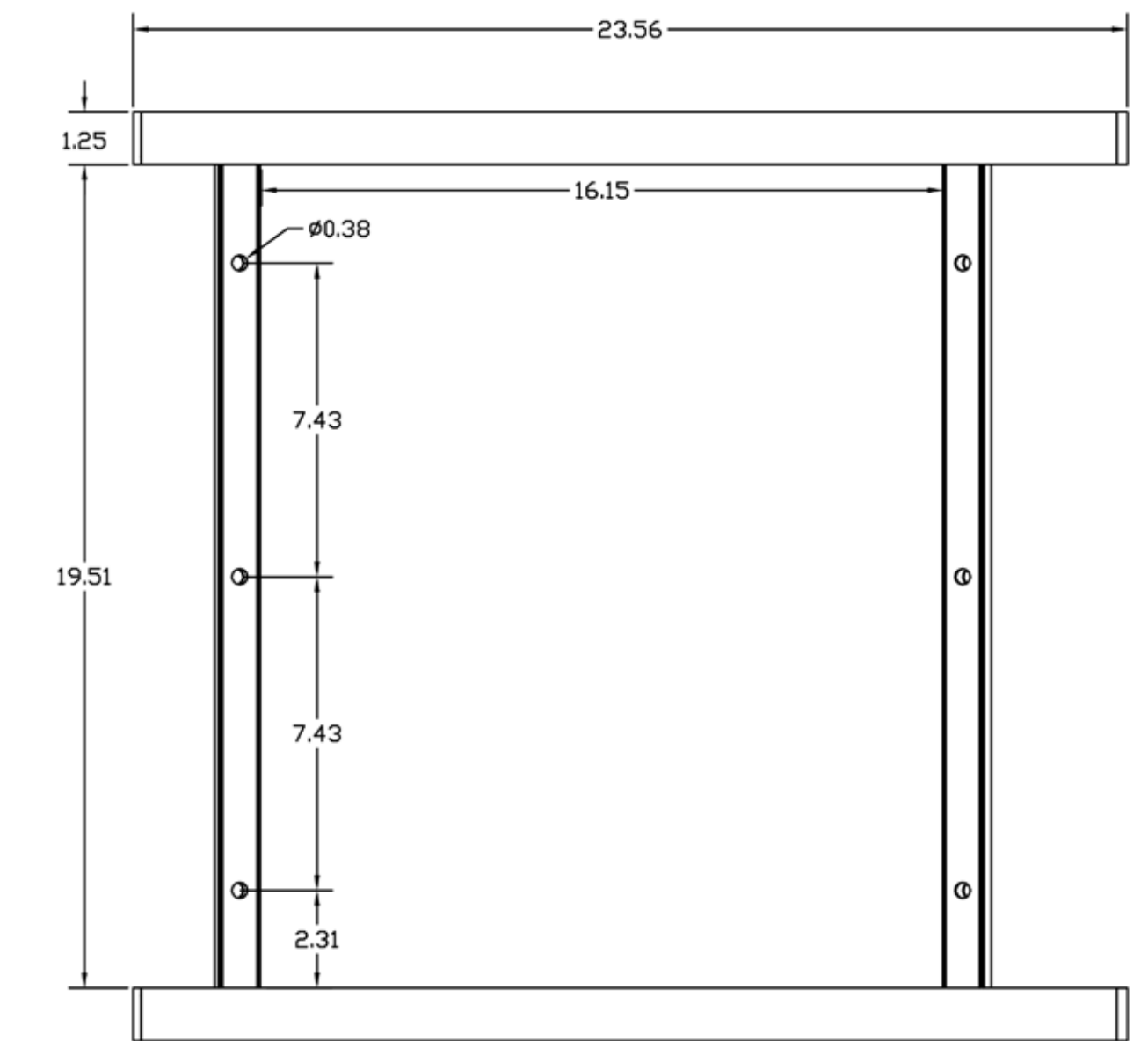
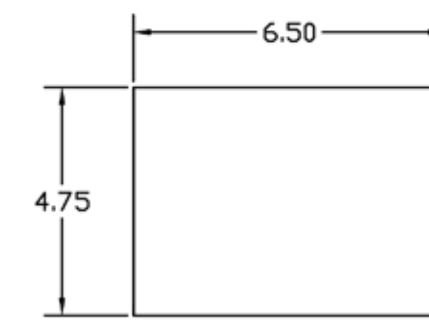
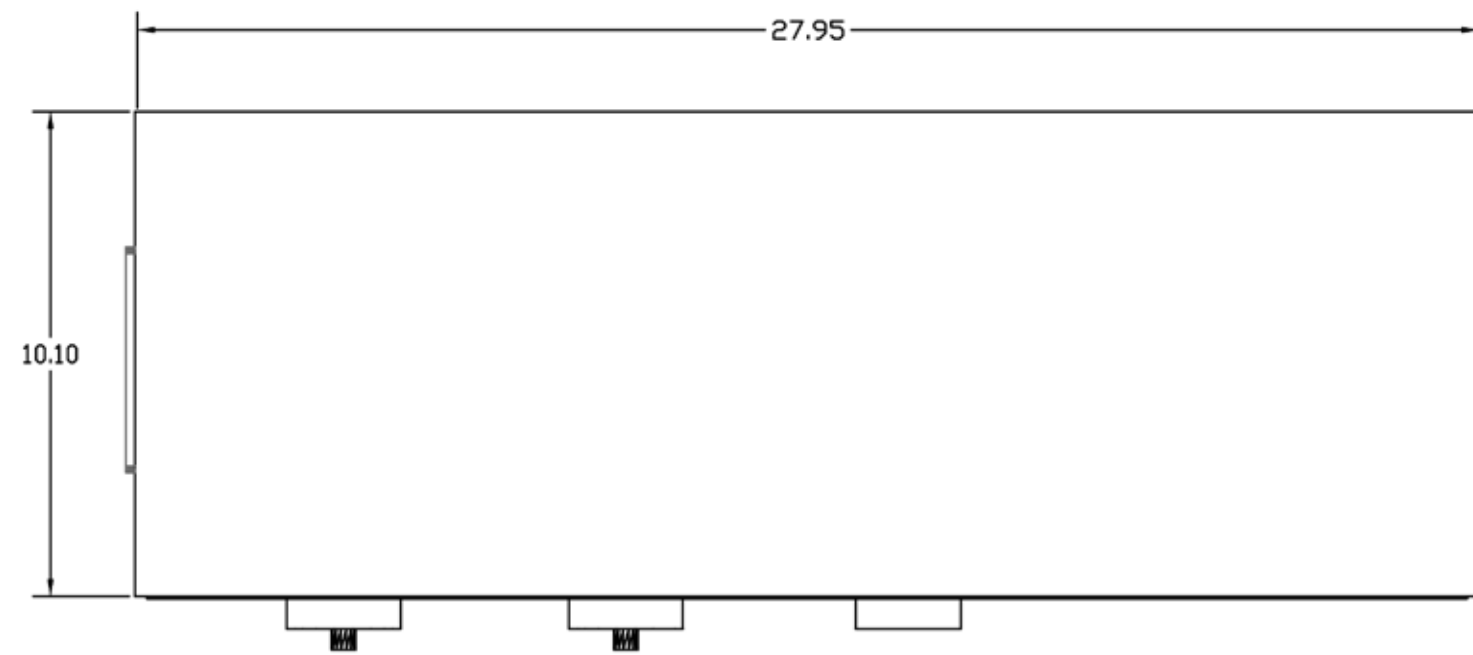
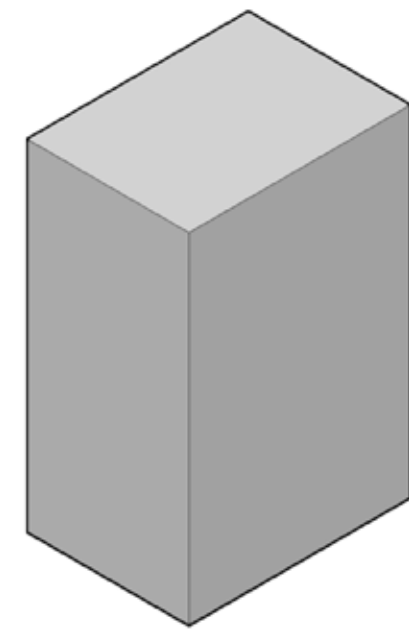
## CONCAVE



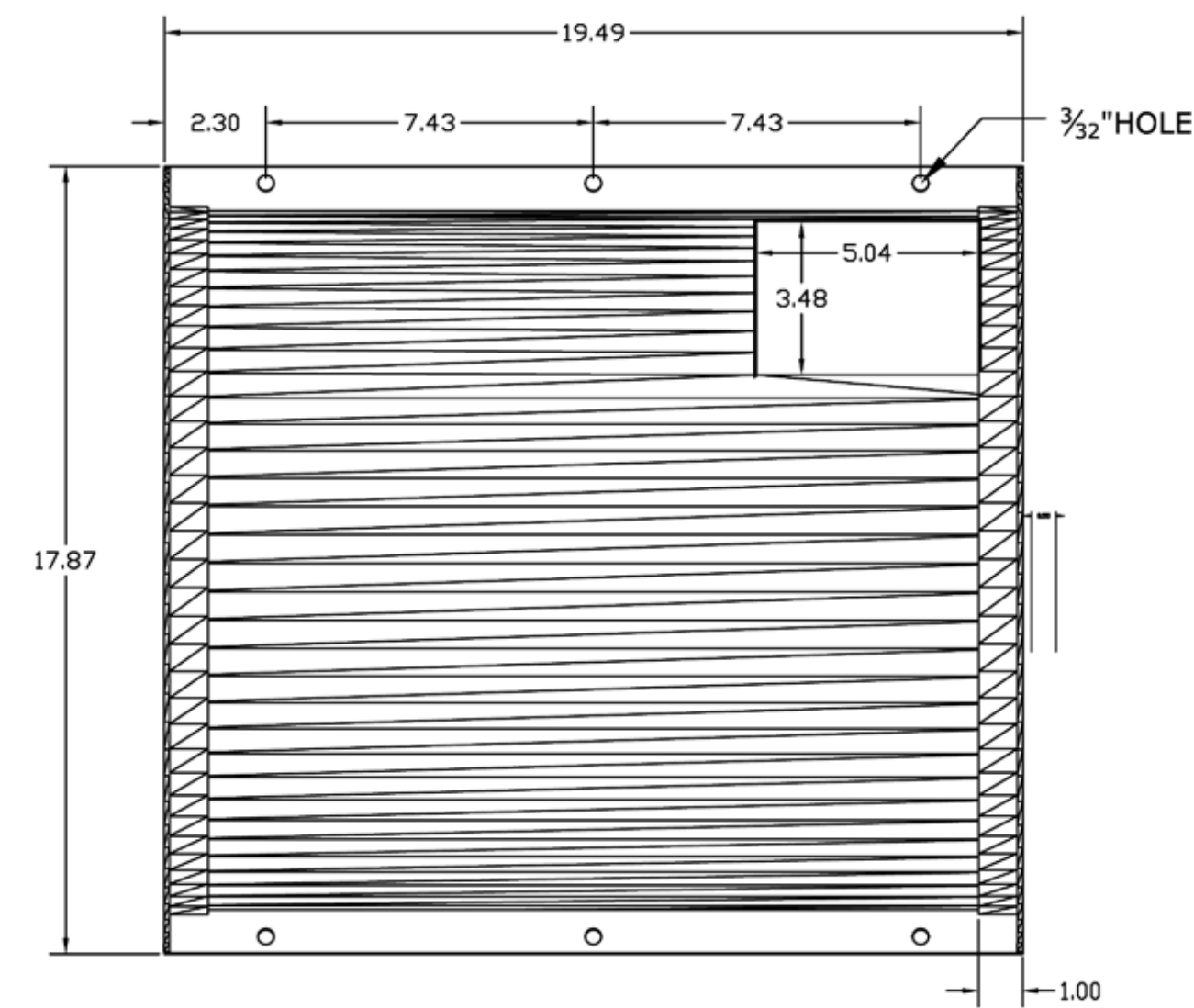
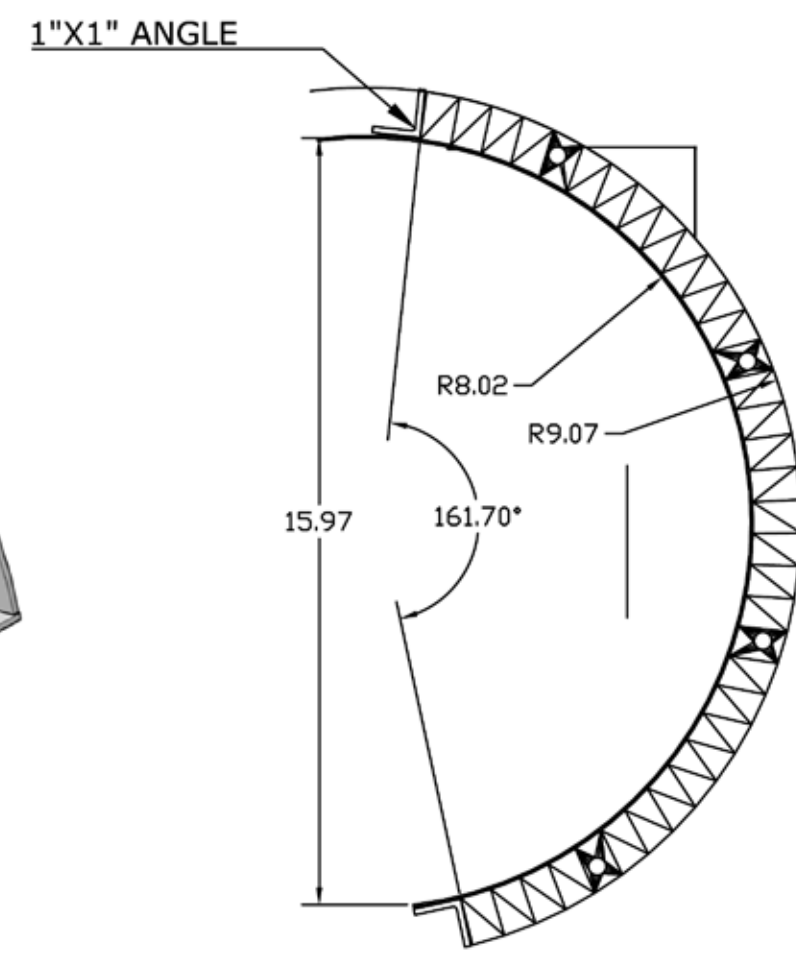
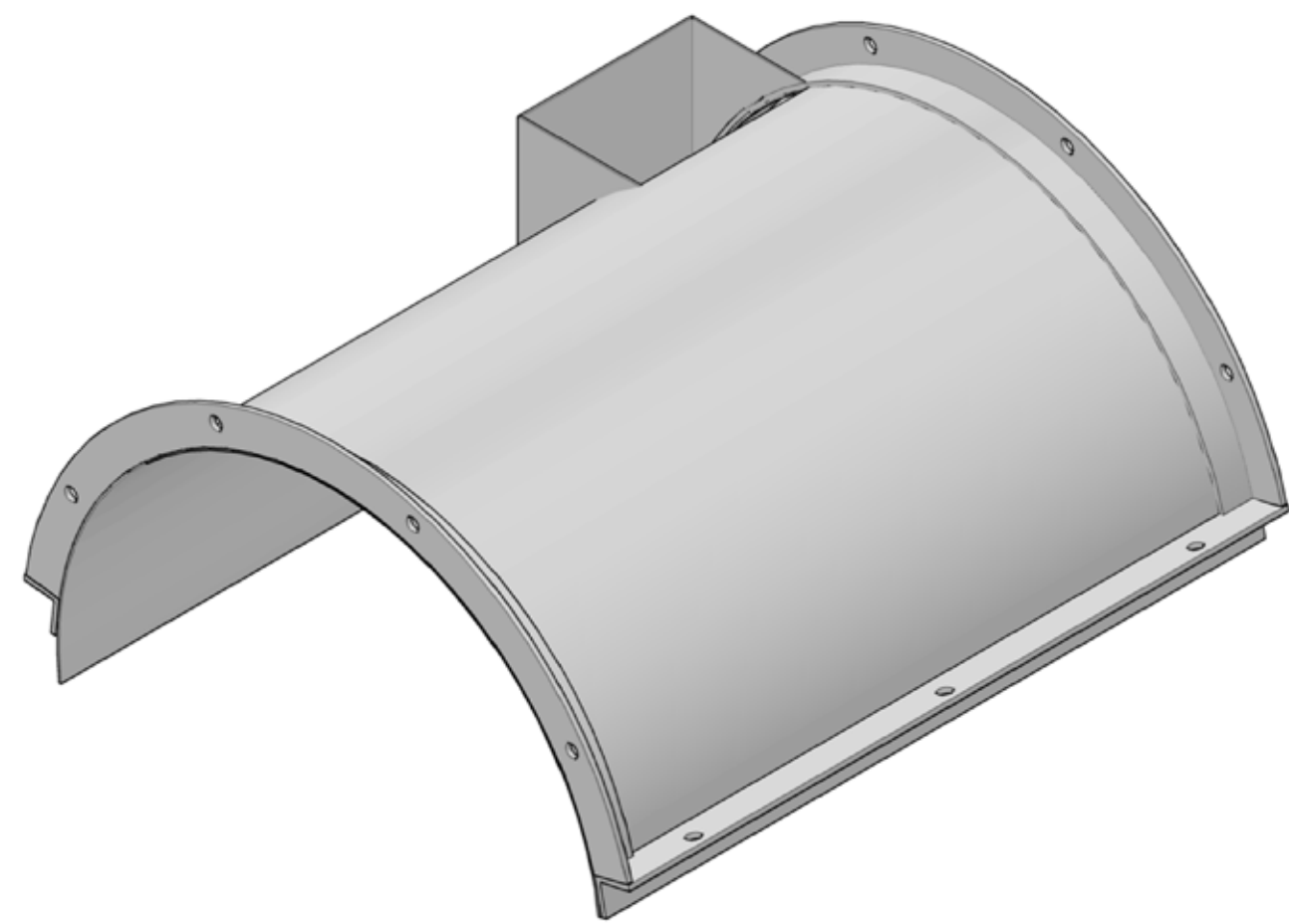




CONTROL ENCLOSURE



CHAMBER COVER



CHAMBER ENDS

